

MAXIMUM EFFICIENCY WITH MULTI-MPPT THREE-PHASE TECHNOLOGY

10TL M / 15TL M / 20TL M / 33TL M / 40TL M480

A three-phase inverter family for domestic, industrial and large-scale PV plants.

Maximum efficiency with two independent MPPT inputs

A single DC-to-AC power conversion stage with an advanced maximum power point tracking system (MPPT), making it possible to harness the maximum energy from the PV array at all times, including difficult situations such as scattered clouds and partial shading. Great flexibility for configuring the solar array, thanks to the two independent MPPT trackers with a wide input voltage range. Moreover, it enables to connect different DC input powers to each MPP tracker (asymmetric configuration).

Plug & Play technology

Extremely easy to install. The inverter connection is fast and simple. The country-specific configuration and language can be easily selected from the inverter screen.

Rugged design

Steel casing, especially designed for indoor and outdoor applications (IP65). Able to withstand extreme temperatures. The 3Play TL M inverters have been designed to guarantee a service life of more than 20 years, as demonstrated by the stress tests they are subjected to.

Ease of maintenance

Internal datalogger for up to 3 months data storage. Control either from a remote PC or on-site from the inverter front keypad. Status and alarm LED indicators. LCD screen.

Easy to operate

The INGECON® SUN 3Play TL M inverters feature a LCD screen for the simple and convenient monitoring of the inverter status and a range of internal variables.

The display also includes three LEDs to show the inverter operating status. All this helps to simplify and facilitate maintenance tasks.

Software included

Included at no extra cost are the INGECON® SUN Manager, INGECON® SUN Monitor and its smartphone version iSun Monitor for monitoring and recording the inverter data over the internet. In addition, users can download the latest version of the firmware from the Ingeteam website www.ingeteam.com, and update it using a simple SD memory card. RS-485 communications are supplied as standard.

Standard 5 year warranty, extendable for up to 25 years



10TL M / 15TL M / 20TL M / 33TL M / 40TL M480

Different versions to choose from

In order to satisfy its clients' needs, Ingeteam has created different versions for the INGECON® SUN 3Play TL M family:

- "STD": Standard version
- "PRO": Premium version

All the versions are supplied with DC and AC surge arresters type 3. The "STD" version represents the most basic. It features a double MPPT input with terminal blocks and it also integrates a DC switch.

On the other hand, the PRO version includes two options for DC connection: conventional terminal blocks or PV connectors.

Moreover, it features DC fuses, the input current measuring kit and the DC switch. It is also supplied with supplied with DC surge arresters, type 2.

MAIN FEATURES

- Double-MPPT system.
- 98.5% maximum efficiency.
- Digital inputs.
- RS-485 communications supplied as standard.
- Inverter firmware updating by the user through a SD memory card.
- Software INGECON® SUN Manager for PV plant access and data registration.
- Software INGECON® SUN Monitor for PV plant monitoring.
- LCD display.
- Easy maintenance.
- Display-configurable potential-free contact, to indicate insulation fault or grid connection.
- Plug & Play technology.
- Suitable for indoor and outdoor installations (IP65).
- High temperature performance.
- Different versions to satisfy every project needs.
- Compact design.
- Language, rated voltage and Country Code, rated voltage configurable by display.

PROTECTIONS

- Reverse polarity.
- Shortcircuits and overloads at the output.
- Anti-islanding with automatic disconnection.
- Insulation faults.
- Input and output overvoltages with type 3 surge arresters.

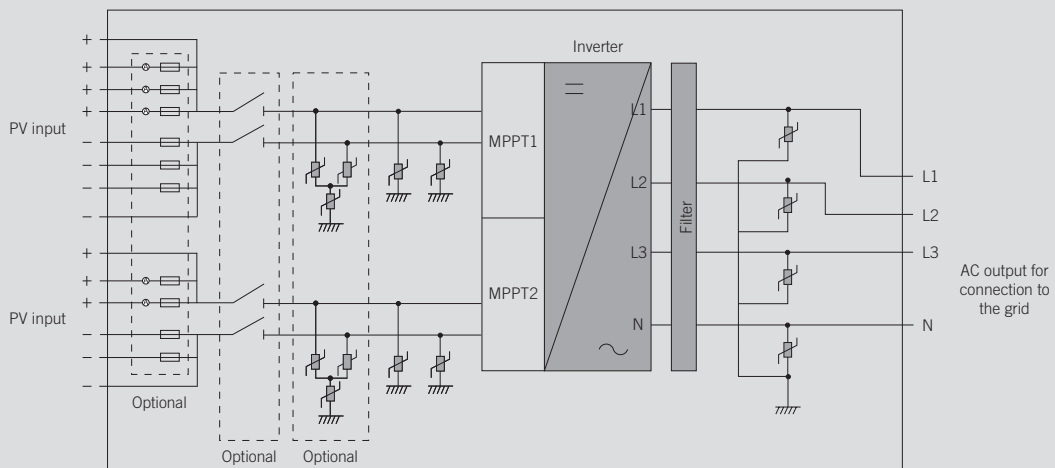
OPTIONAL ACCESORIES

- Inverter communication via Ethernet, Wi-Fi. A second RS-485 communication card is available.
- Self-consumption kit.
- INGECON® SUN EMS Board.

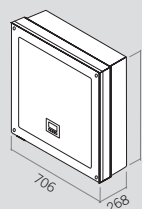
BENEFITS

- Greater performance thanks to the double MPPT system.
- Easy maintenance.
- Higher inverter life expectancy.

3Play TL M PRO version (20 kW)



Size and weight (mm)



- 10TL M / 15TL M / 20TL M**
57.8 kg.
- 33TL M / 40TL M480**
62.5 kg.

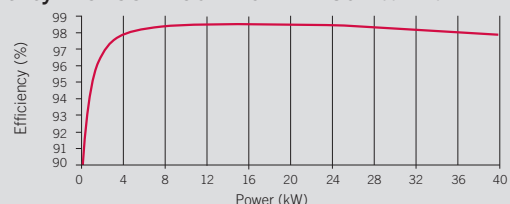
	10TL M	15TL M	20TL M	33TL M	40TL M480
Input (DC)					
Recommended PV array power range ⁽¹⁾	10.3 - 13.4 kW	15.5 - 20.1 kW	20.6 - 26.8 kW	34 - 45 kW	41.2 - 53.6 kW
Voltage range MPP1 ⁽²⁾	200 - 820 V				
Voltage range MPP2 ⁽²⁾	200 - 820 V				
Maximum voltage ⁽³⁾	1,000 V				
Maximum current (Input 1 / Input 2) ⁽⁴⁾	30 / 20 A	30 / 20 A	30 / 20 A	40 / 40 A	40 / 40 A
Inputs with terminal blocks (Input 1 / Input 2)	1 / 1				
Inputs with PV connectors (Input 1 / Input 2) ⁽⁵⁾	3 / 2	3 / 2	3 / 2	5 / 5	5 / 5
MPPT	2				
Output (AC)					
Rated power	10 kW	15 kW	20 kW	33 kW	40 kW
Max. temperature at rated power ⁽⁶⁾	55 °C	55 °C	55 °C	51 °C	51 °C
Maximum current	15 A	22 A	29 A	48 A	48 A
Rated voltage	400 V	400 V	400 V	400 V	480 V
Voltage range	187 - 528 V	187 - 528 V	187 - 528 V	304 - 528 V	304 - 528 V
Frequency	50 / 60 Hz				
Power Factor	1				
Power Factor adjustable ⁽⁷⁾	Yes. Smax=10 kVA; Qmax=10 kVAR	Yes. Smax=15 kVA; Qmax=15 kVAR	Yes. Smax=20 kVA; Qmax=20 kVAR	Yes. Smax=33 kVA; Qmax=20 kVAR	Yes. Smax=40 kVA; Qmax=24 kVAR
THD	<3%				
Efficiency					
Maximum efficiency	98.5%				
Euroefficiency	98.3%				
General Information					
Refrigeration system	Forced ventilation				
Air flow	200 m ³ /h	200 m ³ /h	200 m ³ /h	400 m ³ /h	400 m ³ /h
Stand-by consumption ⁽⁸⁾	10 W				
Consumption at night	1 W				
Ambient temperature	-25 °C to 65 °C				
Relative humidity (non-condensing)	0 - 100%				
Protection class	IP65				
Marking	CE				
EMC and security standards	EN 61000-6-1, EN 61000-6-2, EN 61000-6-3, EN 61000-6-4, EN 61000-3-2, EN 61000-3-3, EN 61000-3-11, EN 61000-3-12, EN 62109-1, EN 62109-2, IEC62103, EN 50178, FCC Part 15, AS3100				
Grid connection standards	RD1699/2011, DIN V VDE V 0126-1-1, EN 50438, CEI 0-16 Ed. III, CEI 0-21, VDE-AR-N 4105:2011-08, G59/2, G83/2 ⁽⁹⁾ , P.O.12.3, AS4777.2, AS4777.3, IEC 62116, IEC 61727, UNE 206007-1, ABNT NBR 16149, ABNT NBR 16150, South African Grid code, Chilean Grid Code, Romanian Grid Code, Ecuadorian Grid Code, Peruvian Grid code, IEEE 929, Thailand MEA & PEA requirements, DEWA (Dubai) Grid Code, Jordan Grid Code				

	STD version	PRO version
Terminal blocks	✓	✓ ^(*)
PV connectors		✓
DC switch	✓	✓
DC surge arresters, type 2		✓
DC and AC surge arresters, type 3	✓	✓
DC fuses		✓
Current measuring kit		✓

(*) Terminal blocks not available for the PRO versions of the INGECON® SUN 33TL M and 40TL M480 inverters.

Notes: ⁽¹⁾ Depending on the type of installation and geographical location ⁽²⁾ The output power will be conditioned by the voltage and current configuration selected at each input ⁽³⁾ Must not be exceeded under any circumstances. Consider the voltage increase of the 'Voc' at low temperatures ⁽⁴⁾ The maximum current per PV connector is 11 A for Premium versions ⁽⁵⁾ Branch plugs and sockets available to connect two cables to each input ⁽⁶⁾ For each °C of increase, the output power will be reduced at the rate of 1.8% ⁽⁷⁾ Q=0 outside the voltage range MPP ⁽⁸⁾ Consumption from PV field ⁽⁹⁾ Related only to inverters up to 16 A.

Efficiency INGECON® SUN 40TL M480 Vdc = 720 V





Ingeteam

Ingeteam Power Technology, S.A.

Avda. Ciudad de la Innovación, 13
31621 SARRIGUREN (Navarra) - Spain
Tel.: +34 948 288 000 / Fax: +34 948 288 001
e-mail: solar.energy@ingeteam.com

Ingeteam S.r.l.

Via Emilia Ponente, 232
48014 CASTEL BOLOGNESE (RA) - Italy
Tel.: +39 0546 651 490 / Fax: +39 054 665 5391
e-mail: italia.energy@ingeteam.com

Ingeteam SAS

La Naurouze B - 140 rue Carmin
31670 Labège - France
Tel.: +33 (0)5 61 25 00 00 / Fax: +33 (0)5 61 25 00 11
e-mail: france@ingeteam.com

Ingeteam INC.

3550 W. Canal St.
MILWAUKEE, WI 53208 - USA
Tel.: +1 (414) 934 4100 / +1 (855) 821 7190 / Fax: +1 (414) 342 0736
e-mail: solar.us@ingeteam.com

Ingeteam, a.s.

Technologická 371/1
70800 OSTRAVA - PUSTKOVEC
Czech Republic
Tel.: +420 59 732 6800 / Fax: +420 59 732 6899
e-mail: czech@ingeteam.com

Ingeteam Shanghai, Co. Ltd.

Shanghai Trade Square, 1105
188 Si Ping Road
200086 SHANGHAI - P.R. China
Tel.: +86 21 65 07 76 36 / Fax: +86 21 65 07 76 38
e-mail: shanghai@ingeteam.com

Ingeteam, S.A. de C.V.

Ave. Revolución, nº 643, Local 9
Colonia Jardín Español - MONTERREY
64820 - NUEVO LEÓN - México
Tel.: +52 81 8311 4858 / Fax: +52 81 8311 4859
e-mail: northamerica@ingeteam.com

Ingeteam Ltda.

Rua Estácio de Sá, 560
Jd. Santa Genebra
13080-010 Campinas/SP - Brazil
Tel.: +55 19 3037 3773
e-mail: brazil@ingeteam.com

Ingeteam Pty Ltd.

Unit 2 Alphen Square South
16th Road, Randjiespark
Midrand 1682 - South Africa
Tel.: +2711 314 3190 / Fax: +2711 314 2420
e-mail: southafrica@ingeteam.com

Ingeteam SpA

Los militares 5890, Torre A, oficina 401
7560742 - Las Condes
Santiago de Chile - Chile
Tel.: +56 2 29574531
e-mail: chile@ingeteam.com

Ingeteam Power Technology India Pvt. Ltd.

2nd Floor, 431
Udyog Vihar, Phase III
122016 Gurgaon (Haryana) - India
Tel.: +91 124 420 6491-5 / Fax: +91 124 420 6493
e-mail: india@ingeteam.com

Ingeteam Sp. z o.o.

Ul. Koszykowa 60/62 m 39
00-673 Warszawa - Poland
Tel.: +48 22 821 9930 / Fax: +48 22 821 9931
e-mail: polska@ingeteam.com

Ingeteam Australia Pty Ltd.

iAccelerate Centre, Building 239
Innovation Campus, Squires Way
North Wollongong, NSW 2500 - Australia
Tel.: +61 499 988 022
e-mail: australia@ingeteam.com

Ingeteam Panama S.A.

Calle Manuel Espinosa Batista, Ed. Torre Internacional
Business Center, Apto./Local 407 Urb.C45 Bella Vista
Bella Vista - Panama
Tel.: +50 761 329 467

Ingeteam Service S.R.L.

Bucuresti, Sector 2, Bulevardul Dimitrie Pompeiu Nr 5-7
Cladirea Hermes Business Campus 1, Birou 236, Etaj 2
Romania
Tel.: +40 728 993 202

Ingeteam Philippines Inc.

Office 2, Unit 330, Milelong Bldg.
Amorsolo corner Rufin St.
1230 Makati
Gran Manila - Philippines
Tel.: +63 0917 677 6039