

Product Certificate Number	11251-31-E1-CER	
Applicant	Ingeteam Power Technology S.A. - Energy Avenida Ciudad De La Innovación, 13. 31621. Sarriguren. Navarra. SPAIN	
Series/	INGECON SUN Power Max B Series 1500 Vdc INGECON SUN Power Max B Series INGECON SUN STORAGE Power Max B Series INGECON SUN STORAGE Power Max B Series 1500 Vdc	
Model/	<u>INGECON SUN Power Max B Series</u> INGECON SUN 830TL B300 INGECON SUN 860TL B310 INGECON SUN 890TL B320 INGECON SUN 915TL B330 INGECON SUN 940TL B340 INGECON SUN 970TL B350 INGECON SUN 1000TL B360 INGECON SUN 1025TL B370 INGECON SUN 1050TL B380 INGECON SUN 1070TL B385 INGECON SUN 1080TL B390 INGECON SUN 1110TL B400 INGECON SUN 1140TL B410 INGECON SUN 1165TL B420 INGECON SUN XXXXTL BYYY (*)	<u>INGECON SUN STORAGE Power Max B Series</u> INGECON SUN STORAGE 830TL B300 INGECON SUN STORAGE 860TL B310 INGECON SUN STORAGE 890TL B320 INGECON SUN STORAGE 915TL B330 INGECON SUN STORAGE 940TL B340 INGECON SUN STORAGE 970TL B350 INGECON SUN STORAGE 1000TL B360 INGECON SUN STORAGE 1025TL B370 INGECON SUN STORAGE 1050TL B380 INGECON SUN STORAGE 1070TL B385 INGECON SUN STORAGE 1080TL B390 INGECON SUN STORAGE 1110TL B400 INGECON SUN STORAGE 1140TL B410 INGECON SUN STORAGE 1165TL B420 INGECON SUN STORAGE XXXXTL BYYY (*)
	<u>INGECON SUN Power Max B Series 1500 Vdc</u> INGECON SUN 1170TL B450 INGECON SUN 1195TL B460 INGECON SUN 1220TL B470 INGECON SUN 1247TL B480 INGECON SUN 1273TL B490 INGECON SUN 1300TL B500 INGECON SUN 1325TL B510 INGECON SUN 1350TL B520 INGECON SUN 1376TL B530 INGECON SUN 1400TL B540 INGECON SUN 1430TL B550 INGECON SUN 1455TL B560 INGECON SUN 1480TL B570 INGECON SUN 1500TL B578 INGECON SUN 1532TL B590 INGECON SUN 1560TL B600 INGECON SUN 1580TL B630 INGECON SUN 1600TL B615 INGECON SUN 1640TL B630 INGECON SUN XXXXTL BYYY (**)	<u>INGECON SUN STORAGE Power Max B Series 1500 Vdc</u> INGECON SUN STORAGE 1170TL B450 INGECON SUN STORAGE 1195TL B460 INGECON SUN STORAGE 1220TL B470 INGECON SUN STORAGE 1247TL B480 INGECON SUN STORAGE 1273TL B490 INGECON SUN STORAGE 1300TL B500 INGECON SUN STORAGE 1325TL B510 INGECON SUN STORAGE 1350TL B520 INGECON SUN STORAGE 1376TL B530 INGECON SUN STORAGE 1400TL B540 INGECON SUN STORAGE 1430TL B550 INGECON SUN STORAGE 1455TL B560 INGECON SUN STORAGE 1480TL B570 INGECON SUN STORAGE 1500TL B578 INGECON SUN STORAGE 1532TL B590 INGECON SUN STORAGE 1560TL B600 INGECON SUN STORAGE 1600TL B615 INGECON SUN STORAGE 1640TL B630 INGECON SUN STORAGE XXXXTL BYYY (**)
	(*) This reference indicates the equipment between 220 V and 420 V of AC voltage (YYY) and between 610 kW and 1165 kW of AC power at 35°C (XXXX). (**) This reference indicates the equipment between 333 V and 630 V of AC voltage (YYY) and between 865 kW and 1640 kW of AC power at 25°C (XXXX).	
Type of generating unit	Photovoltaic Inverter	
Technical Data	See page 3, 4 and 5	
Standard	IEC 61000-3-11: 2000. EMC -- Part 3-11: Limits - Limitation of voltage changes, voltage fluctuations and flicker in public low-voltage supply systems - Equipment with rated current <= 75 A and subject to conditional connection. Chapter 5.	

Having assessed the test report number 11251-1-TR performed by Astrom Technical Advisors (CERE) based on the requirements of the EN ISO/IEC 17025:2005.

The above-mentioned generating unit complies with the requirements of the:

IEC 61000-3-11: 2000. EMC -- Part 3-11: Limits - Limitation of voltage changes, voltage fluctuations and flicker in public low-voltage supply systems - Equipment with rated current ≤ 75 A and subject to conditional connection. Chapter 5.

This certification is according the CERE internal process PET-CERE-09 Rev 9 based on the requirements of the EN ISO/IEC 17065:2012. For this certification process the conformity assesment activities was based on:

- Testing of production samples selected by CERE.
- Audit of quality system according ISO 9001 with certificate number: 0.04.12231 issued by a certification body accredited according EN ISO/IEC 17021.
- Inspection of the manufacturing process.

This certificate cancels and supersedes the certificate number 11251-31-CER

Madrid, November 3, 2016. This certificate is valid until November 3, 2019

Miguel Martínez Lavin
Certification Manager

INGECON SUN PowerMax B series 1500 Vdc:

PV inverters with AC voltage ranging from 333 V to 630 V	
Input (DC)	
Recommended PV array power range	Pdc.min=1,1*Pac (50°C) Pac.max= 1,3*Pac (25 °C)
Voltage MPP min	$V_{mpp.min} = \frac{1,732 \sqrt{\frac{2}{3} V^2 + (0,04 * I_{max})^2}}{0,985}$
Voltage MPP max	1300 V
Maximum Voltage	1500 V
Maximum Current	2000 A
Output (AC)	
Power @25°C/@50°C	Pac = ($\sqrt{3}$) * Vac * Iac
Current @25°C/@50°C	1500 A/1250 A
Rated Voltage	Vac = 333 V ... 630 V
Frequency	50/60 Hz
Software version	ABK1000_B

INGECON SUN STORAGE PowerMax B series 1500 Vdc

PV inverters with AC voltage ranging from 333 V to 630 V	
Input (DC)	
Min battery Voltage	$V_{mpp.min} = \frac{1,732 \sqrt{\frac{2}{3} (1,1V)^2 + (0,04 * I_{max})^2}}{0,985}$
Max. Battery voltage	1300 V
Maximum Current	2000 A
Output (AC)	
Power @25°C/@50°C	Pac = ($\sqrt{3}$) * Vac * Iac
Current @25°C/@50°C	1500 A/1250 A
Rated Voltage	Vac = 333 V ... 630 V
Frequency	50/60 Hz
Software version	ABK1000_B

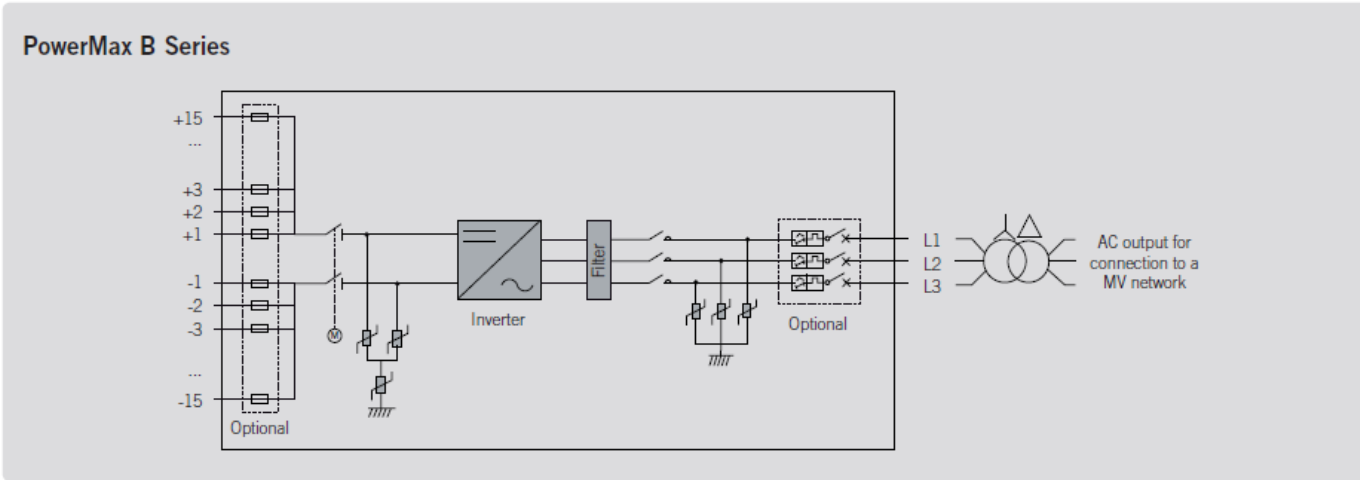
INGECON SUN Power Max B Series 1000 Vdc

PV inverters with AC voltage ranging from 220 V to 420 V	
Input (DC)	
Recommended PV array power range	Pdc.min = 1,1*Pac (50°C) Pdc.max = 1,3*Pac (35°C)
Voltage MPP min.	$V_{mpp.min} = \frac{1,732 \sqrt{\frac{2}{3} V^2 + (0,0311 * I_{max})^2}}{0,985}$
Voltage MPP max.	820 V
Maximum Voltage	1050 V
Maximum Current	2000 A
Output (AC)	
Power 35°C/50°C	Pac = (√3) * Vac * Iac
Current 35°C/50°C	1600 A/ 1472 A
Rated Voltage	Vac = 220 V ... 420 V
Frequency	50 Hz/60 Hz
Software version	ABK1000_A

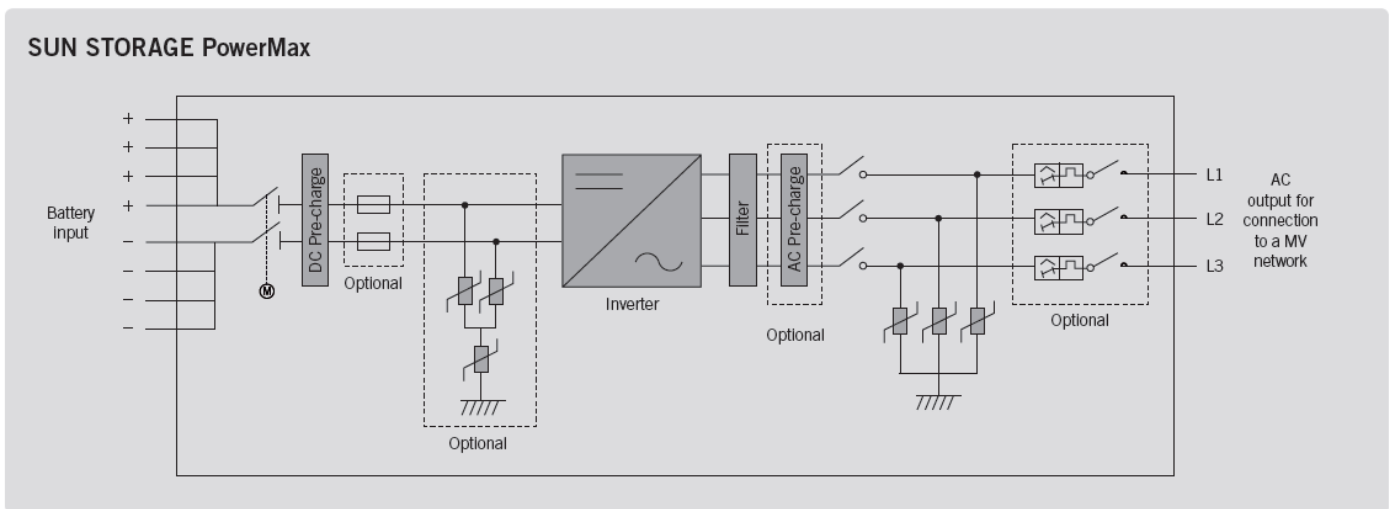
INGECON SUN STORAGE Power Max B Series 1000 Vdc

PV inverters with AC voltage ranging from 220 V to 420 V	
Input (DC)	
Min. Battery Voltage	$V_{mpp.min} = \frac{1,732 \sqrt{\frac{2}{3} (1,1V)^2 + (0,0311 * I_{max})^2}}{0,985}$
Max. Battery Voltage	820 V
Maximum Current	2000 A
Output (AC)	
Power 35°C/50°C	Pac = (√3) * Vac * Iac
Current 35°C/50°C	1600 A/ 1472 A
Rated Voltage	Vac = 220 V ... 420 V
Frequency	50 Hz/60 Hz
Software version	ABK1000_A

Electrical Diagram of INGECON SUN Power Max B Series (1000 Vdc and 1500 Vdc):



Electrical Diagram of INGECON SUN STORAGE Power Max B Series (1000 Vdc and 1500 Vdc):



Manufacturer:

Ingeteam Power Technology S.A. - Paneles
Pol. Ind. El Juncarillo, Nave 1
31293 Sesma (Navarra) - SPAIN

The sample selected to test was representative of the production.
The sample was selected in manufacture facilities.

May 31, 2016

Sample Report Number:

11251-1-TM

The inspection of manufacturing process was performed in
manufacture facilities:

February 9, 2016

Inspection Report Number:

CERE-C/Ingeteam Paneles