



INGEREV GARAGE Basic

Configuration
Configuración
Configuration
Configurazione

ABA2011IQM05_
04/2014

Ingeteam Power Technology, S.A. - Energy

Avda. Ciudad de la Innovación, 13
31621 SARRIGUREN (Navarra) - Spain
Tel.: +34 948 28 80 00
Fax.: +34 948 28 80 01
e-mail: electricmobility.energy@ingetteam.com

Service Call Center: +34 948 698 715

Ingeteam SAS

Parc Innopole
BP 87635 - 3 rue Carmin - Le Naurouze B5
F- 31676 Toulouse Labège cedex - France
Tel: +33 (0)5 61 25 00 00
Fax: +33 (0)5 61 25 00 11
e-mail: solar.energie@ingetteam.com

Service Call Center: +33 (0) 820 363 749

Ingeteam S.r.l.

Via Emilia Ponente, 232
48014 CASTEL BOLOGNESE (RA) - Italy
Tel.: +39 0546 651 490
Fax: +39 054 665 5391
e-mail: italia.energy@ingetteam.com

Service Call Center: +39 0546 651 524



English	EN
Español	ES
Français	FR
Italiano	IT

The copy, distribution or use of this document or of its content requires written authorisation. Any breach thereof will be reported for damages. All rights reserved including those of patent rights or design registration.

The conformity of the document content with the hardware described has been checked. However, discrepancies may exist. Liability will not be assumed for total concordance. The information contained in this document is regularly reviewed and it is possible that there may be changes in subsequent editions. Other functions may be available which are not covered by this document.

This document may be changed.

La copia, circulación o uso de este documento o de su contenido requiere un permiso por escrito. Su incumplimiento será denunciado por daños y perjuicios. Todos los derechos están reservados, incluyendo aquellos que resulten de derechos de patentes o registro del diseño.

La correspondencia del contenido del documento con el hardware ha sido comprobada. Sin embargo, pueden existir discrepancias. No se asume ninguna responsabilidad por la concordancia total. La información que contiene este documento es revisada regularmente y es posible que se produzcan cambios en siguientes ediciones.

El presente documento es susceptible de ser cambiado.

La copie, distribution ou utilisation de ce document ou de son contenu requiert une autorisation écrite. Toute personne ne respectant pas cette condition sera passible de poursuites. Tous les droits sont réservés, y compris ceux qui découlent des droits de brevets ou d'enregistrement des conceptions.

La correspondance entre le contenu du document et le matériel a été vérifiée. Il peut toutefois exister des divergences. Aucune responsabilité de concordance totale n'est assumée. Les informations contenues dans ce document sont régulièrement révisées et il est possible que des changements surviennent dans les éditions à venir.

Le présent document est susceptible d'être modifié.

Per copiare, condividere o utilizzare il presente documento o il suo contenuto è necessaria un'autorizzazione scritta. Il mancato rispetto di quest'obbligo sarà perseguito. Tutti i diritti sono riservati, compresi quelli risultanti da diritti di brevetti o dalla registrazione del progetto.

La corrispondenza del contenuto del presente documento con l'hardware è stata verificata, tuttavia, possono sussistere discrepanze. Si declina ogni responsabilità relativamente alla concordanza totale. Le informazioni contenute in questo documento sono regolarmente sottoposte a revisione ed è possibile che siano inserite delle modifiche nelle prossime edizioni.

Questo documento può essere soggetto a modifiche.

Contents

1. About this manual.....	6
2. Configurable parameters	6
3. Downloading and saving files.....	6
4. Folder system	7
4.1. Bootloader	7
4.2. Config.....	7
4.3. Firmware.....	9
4.4. Sessions	9
4.5. Support	10
5. Deferred charging in INGEREV GARAGE Basic.....	10
6. Access and loading data	12

EN

ES

FR

IT

1. About this manual

The purpose of this manual is to describe the optional configuration for INGEREV GARAGE Basic recharging stations.

It is possible to load configurations of different parameters optionally. They can be loaded via the USB connection in the unit.

2. Configurable parameters

The configurable parameters of the station are as follows:

- Date and Time.
- Language.
- Country.
- Current setpoint for *rated*, *limited* and *deferred* charge.
- Programming the deferred charge.
- Updating firmware.

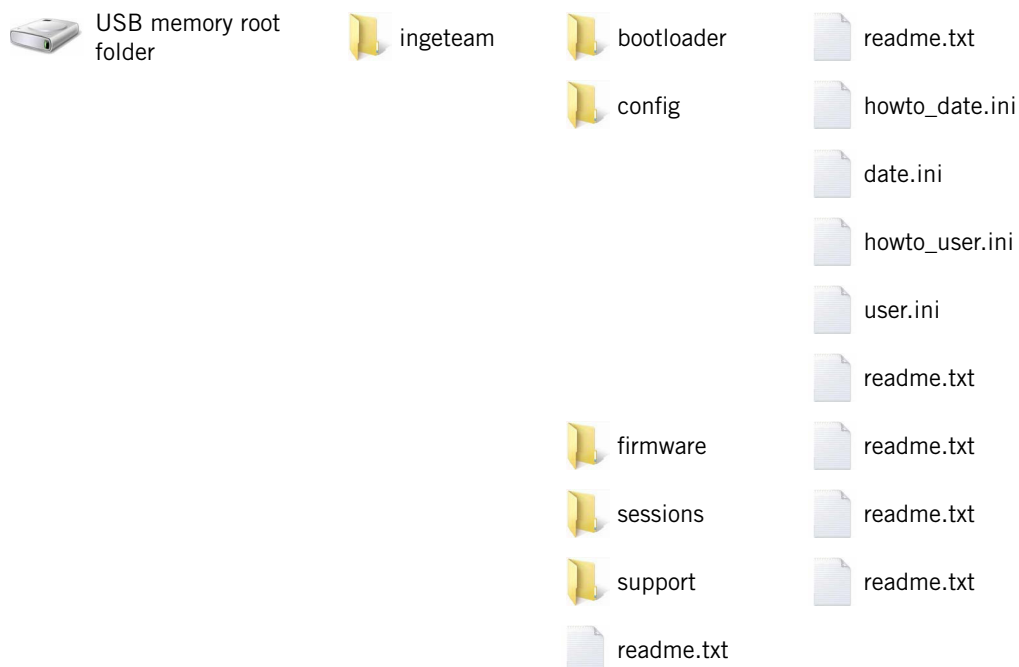
Deferred charging is possible in INGEREV GARAGE Basic recharging stations thanks to configuration via USB.

Additionally, data can be extracted regarding the station's operation, such as recorded events of information relating to charging sessions.

3. Downloading and saving files

In order to download the necessary files, contact the Ingeteam Customer Service or access the download area of the electric vehicle recharging stations on the Ingeteam website (www.ingeteam.com).

Download a file named *[recharging station model name]_user.zip*. This file contains the *ingeteam* folder. Unzip the file onto the root folder of a USB memory source formatted to FAT32, so the *ingeteam* folder is left on the root folder of the memory.



The *readme.txt* documents contain information on the folder in which they are located.

4. Folder system

The previous point outlines the folder structure that the USB memory must possess in order for the parameters to be correctly loaded in the station. **If this structure is not followed, the parameters will not be loaded.**

The purpose of each folder is described below. It may not be necessary to use certain folders. If you do not require the station firmware to be modified, it is not necessary to include the *firmware* folder on the USB memory. This also applies to the rest of the folders.

4.1. Bootloader

The bootloader firmware must be placed in this folder if an update is necessary. The extension of the bootloader filename is *.bin*.

4.2. Config

This folder contains the files required to configure the recharging station. In order to configure the station, it is necessary to modify the *date.ini* file (to adjust the date and time) and the *user.ini* file (to configure certain parameters).

The documents *howto_date.ini* and *howto_user.ini* contain information about the configuration.

date.ini

In order to adjust the date and time of the recharging station, the *date.ini* file must be modified, writing a single line that includes the current date and time, in this format:

mmm dd yyyy hh:mm:ss

mmm: the three first letters of the name of the month (jan, feb, mar, apr, may, jun, jul, aug, sep, oct, nov, dec).

dd: day. Always use two figures (01, 03, 12, 20, etc.).

yyyy: year (2013, 2014, etc.).

hh: hour. Always use two figures (01, 07, 15, 21, etc.).

mm: minute. Always use two figures (03, 09, 17, 36, etc.).

ss: second. Always use two figures (04, 08, 12, 25, etc.).

After modifying this parameter with the required date and time, the USB memory must be connected to the station at that exact time so that the update is correct.

Once the date and time of the station have been updated, the *date.ini* file will be deleted from the USB memory to prevent erroneous updates.

user.ini

The *user.ini* file contains the variables that can be configured by the user. Not all the parameters can be configured in all models, but they are included for reasons of compatibility.

If there is a *user.ini* file in the folder */ingeteam/config/* when a USB memory is connected to the station the new configuration will be loaded.

The configurable parameters are:

language

Defines the user interface language for units with a screen.

Example:

```
language = "es";
```

country

Defines the country, reserved for future developments.

Example:

```
country = "es";
```

nominal_current

Current setpoint sent to the vehicle when the device is operated in *nominal charge* mode.

By default it is the nominal current that shows on the recharging station specification plate. Its value must be a positive, whole number.

Its bottom limit is 6 Amps according to regulations and its top limit is the same as the current of the specification plate.

For ZE Ready units, the bottom limit is 7 Amps for single-phase versions and 13 Amps for three-phase versions.

If compliance with these ranges is not met its previous value will be preserved.

Example:

```
nominal_current = 15;
```

limited_current

Current setpoint sent to the vehicle when the device is operated in *limited charge* mode.

By default it is 62.5% of the current on the specification plate of the recharging station, 10 Amps for 16-Amp units and 20 Amps for 32-Amp units.

Its value must be a positive, whole number. Its bottom limit is 6 Amps according to regulations and its top limit is the same as the *nominal_current*.

For ZE Ready units, the bottom limit is 7 Amps for single-phase versions and 13 Amps for three-phase versions.

If compliance with these ranges is not met its previous value will be preserved.

Example:

```
limited_current = 12;
```

deferred_current

Deferred charging is possible in INGEREV GARAGE Basic recharging stations thanks to configuration via USB.

Configure the current setpoint on this line to send to the vehicle when the device is operated in deferred charge mode. By default it is the same as the nominal charge.

Its value must be a positive, whole number. Its bottom limit is 6 Amps according to regulations and its top limit is the same as the current of the specification plate.

For ZE Ready units, the bottom limit is 7 Amps for single-phase versions and 13 Amps for three-phase versions.

If compliance with these ranges is not met its previous value will be preserved.

Example:

```
deferred_current = 16;
```

Power reference table as per phases, voltage and current		
Single phase	230V 6 A	1.38 kW
	230V 8 A	1.84 kW
	230V 10 A	2.30 kW
	230V 12 A	2.76 kW
	230V 14 A	3.22 kW
	230V 16 A	3.68 kW
	230V 20 A	1.38 kW
	230V 24 A	1.84 kW
	230V 28 A	2.30 kW
	230V 32 A	2.76 kW

Power reference table as per phases, voltage and current		
Three phase	400V 6 A	4.15 kW
	400V 8 A	5.54 kW
	400V 10 A	6.92 kW
	400V 12 A	8.30 kW
	400V 16 A	11.07 kW
	400V 20 A	13.84 kW
	400V 24 A	16.61 kW
	400V 28 A	19.38 kW
	400V 32 A	22.14 kW

start_deferred_charge

Enables the start time of the deferred charge to be programmed. This variable is disabled by default.

To enable the start of the deferred charge a *user.ini* file must be loaded with a variable that has a valid time programmed.

The format of the variable is 24 hours, set as follows *hh:mm:ss*.

Example:

```
start_deferred_charge = "23:05:00";
```

To disable the start of the deferred charge a *user.ini* file must be loaded containing an empty variable.

Example:

```
start_deferred_charge = "";
```

finish_deferred_charge

Enables the end time of the deferred charge program to be programmed. This variable is disabled by default.

To enable the end of the deferred charge a *user.ini* file must be loaded with a variable that has a valid time programmed.

The format of the variable is 24 hours, set as follows *hh:mm:ss*.

Example:

```
finish_deferred_charge = "09:55:00";
```

To disable the end of the deferred charge a *user.ini* file must be loaded containing an empty variable.

Example:

```
finish_deferred_charge = "";
```

4.3. Firmware

The device firmware must go in this folder if an update is necessary.

The extension of the firmware filename is *.bin*.

4.4. Sessions

This folder houses the file that contains all the information relating to the charging sessions of the device and the important warnings, alarms and events that have taken place.

If the unit has an energy meter, the stored information will include the consumption rates of each session. Otherwise, only information on the duration of the sessions will be available.

The file format is plain text in *csv* format so that it can easily be imported from a spreadsheet application or other data treatment systems.

If the file does not exist, a new one is generated.

If the file already exists, the new information is added to it without deleting the existing information.

It must be taken into account that when the information is dumped onto the USB memory, this information is deleted from the device in order to maintain the maximum memory possible.

If the information is not regularly dumped from the station, when the memory becomes full information is overwritten.

In normal conditions the memory of the station is capable of storing at least up to 3 daily charging sessions over a whole year.

4.5. Support

A copy of the configuration files of the current status of the station is dumped into this folder for the user. The dumped files are:

user.ini

date.ini

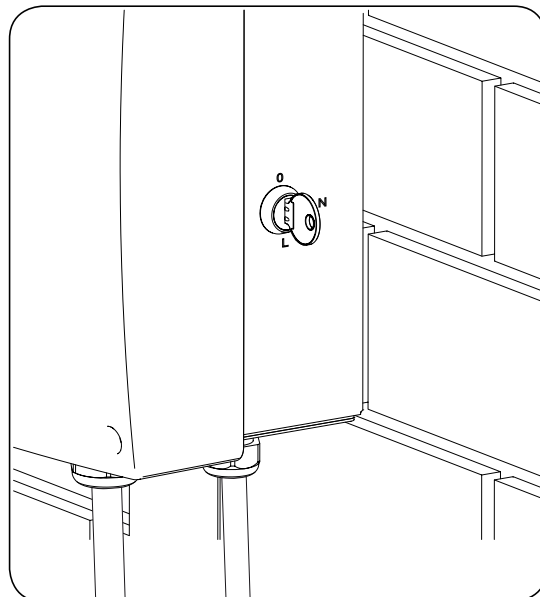
This enables the user to check the configuration, current date and time of the device as well as checking that the data loaded from the configuration files present in */ingeteam/config/* have been correctly updated.

5. Deferred charging in INGEREV GARAGE Basic

As mentioned earlier, it is possible to carry out deferred charging in INGEREV GARAGE Basic stations as long as this is activated and programmed via USB.

In order to activate the charge the *start_deferred_charge* line and/or the *finish_deferred_charge* line must be configured.

In INGEREV GARAGE Basic stations it is possible to recharge the electric vehicle with a *nominal* or limited charge. Both charging modes can be selected using the key on the side of the station, whereby *N* is for *nominal charge* and *L* is for limited charge.



However, if deferred charge is activated using a USB memory, it becomes operative. In this case the *limited charge* deactivates, replaced by the deferred charge. Therefore, to select the deferred charge on the station, select position *L* using the key. Position *N* can still be used to select *nominal charge*.

Deferred charge mode is a generic name, because depending on the different configuration possibilities, there are up to 3 different modes of deferred charge. They are as follows:

- Programmed charge start.
- Programmed charge interval.
- Programmed charge end.

The following cases of use are possible:

- 1° - *start_deferred_charge*, disabled (by default)
finish_deferred_charge, enabled (by default)
 or the key in position *N*, *nominal charge* mode.
 The current setpoint is *nominal_current*.
 The station will start charging upon receiving a signal from the car.
 or the key in position *L*, *limited charge* mode.
 The current setpoint is *limited_current*.
 The station will start charging upon receiving a signal from the car.
- 2° - *start_deferred_charge*, enabled
finish_deferred_charge, disabled
 or the key in position *N*, *nominal charge* mode.
 The current setpoint is *nominal_current*.
 The station will start charging upon receiving a signal from the car.
 or the key in position *L*, *Programmed charge start*.
 The current setpoint is *deferred_current*.
 The station allows charging to take place when the start time is reached and the session continues indefinitely until the charging is complete.
 If the time programmed is 23:00:00 and the user connects the vehicle at 23:00:01, the vehicle will not start charging until 23:00:00 the following day.
- 3° - *start_deferred_charge*, enabled
finish_deferred_charge, enabled
 or the key in position *N*, *nominal charge* mode.
 The current setpoint is *nominal_current*.
 The station will start charging upon receiving a signal from the car.
 or the key in position *L*, *Programmed charge interval* mode.
 The current setpoint is *deferred_current*.
 The station allows charging to take place when the start time is reached and stops charging at the programmed end time. If the charging is programmed to start at 23:00:00 and end at 09:00:00, if the user arrives at 23:05:00, because this time is within the charge interval the vehicle will begin charging and will end at the programmed time.
- 4° - *start_deferred_charge*, disabled
finish_deferred_charge, enabled
 or the key in position *N*, *nominal charge* mode.
 The current setpoint is *nominal_current*.
 The station will start charging upon receiving a signal from the car.
 or the key in position *L*, *Programmed charge end* mode.
 The current setpoint is *deferred_current*.
 The car decides when the station will start charging, but the charging ends at the programmed time. Charging will not commence again until the session is closed and opened again.

It is possible to switch from *nominal charge* status to *limited charge* or vice versa at any moment, without the need to interrupt the charge.

Likewise, it is possible to switch from *nominal charge* status to deferred charge or vice versa at any time.

When the recharge point is in deferred charge mode awaiting the programmed start time the light signal will flash blue.



Charging can be programmed or deferred from most modern electric vehicles themselves.

Ingeteam recommends using this feature whenever available.

However, attending to vehicles that do not feature programmed or deferred charging, Ingeteam has enabled the possibility of configuring said deferred charge from this charging point in the most versatile and flexible manner possible.

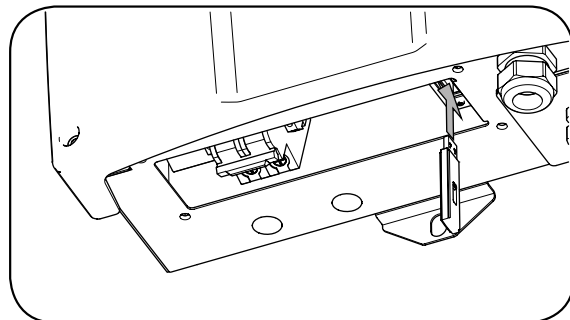
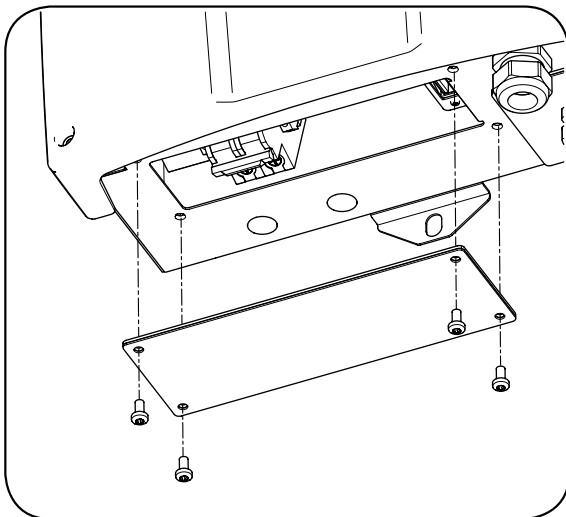
Nevertheless Ingeteam is not responsible for the compatibility of the programmed or deferred charge with all vehicles, as some models enter standby mode after a specified period of downtime and can sometimes fail to react to a signal to charge from the recharging point.

In such cases, consult with the manufacturer of your vehicle the time limit that the vehicle must remain on standby before activating the deferred charge, or learn by trial and error.

6. Access and loading data

The process to take to access the USB connector available in INGEREV GARAGE Basic stations is outlined below.

Remove the four bolts shown in the following figure, before removing the bottom cover and inserting the USB memory in its connector.



In order to load the data the station must be powered.

The station flashes white for several seconds if the parameters have been loaded incorrectly.

After loading the data, remove the USB memory and mount the bottom cover.

Contenidos

1. Información sobre este manual	14
2. Parámetros configurables	14
3. Descarga y grabado de archivos	14
4. Sistema de carpetas	15
4.1. Bootloader	15
4.2. Config.....	15
4.3. Firmware.....	17
4.4. Sessions	17
4.5. Support.....	18
5. Carga diferida en INGEREV GARAGE Basic	18
6. Acceso y carga de datos.....	20

EN

ES

FR

IT

1. Información sobre este manual

El propósito de este manual es describir la configuración opcional para las estaciones de recarga INGEREV GARAGE Basic.

Opcionalmente se pueden cargar configuraciones de distintos parámetros. La carga se realizará mediante la conexión USB disponible en el equipo.

2. Parámetros configurables

Entre los parámetros configurables en la estación se encuentran:

- Fecha y hora.
- Idioma.
- País.
- Consigna de corriente para *carga nominal, limitada y diferida*.
- Programación de la carga diferida.
- Actualización de firmware.

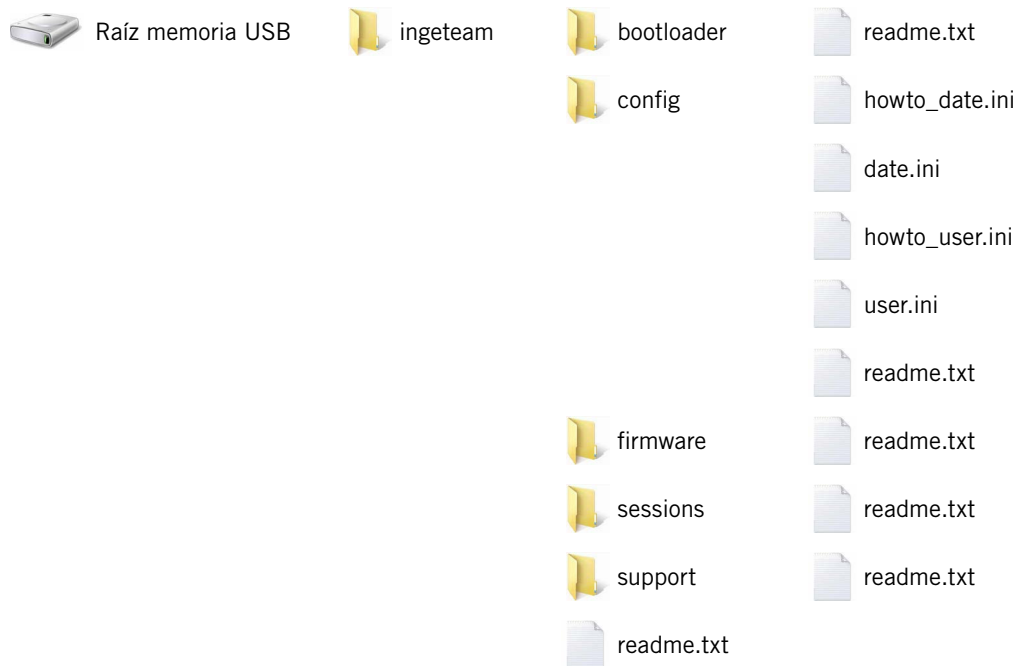
Las estaciones de carga INGEREV GARAGE Basic pueden disponer de carga diferida gracias a la configuración mediante USB.

Asimismo se podrán extraer datos sobre el funcionamiento de la estación, como pueden ser eventos registrados o información relativa a las sesiones de carga.

3. Descarga y grabado de archivos

Para la descarga de los archivos necesarios contactar con el SAT de Ingeteam o acceder a la zona de descargas de las estaciones de recarga de vehículo eléctrico dentro de la web de Ingeteam (www.ingeteam.com).

Se descargará un archivo denominado *[nombre del modelo de estación de recarga]_user.zip*. Este archivo contiene la carpeta *ingeteam*. Descomprimir el archivo en la raíz de una memoria USB formateada en FAT32, quedando así la carpeta *ingeteam* en la raíz de la memoria.



Los documentos *readme.txt* contienen información sobre cada una de las carpetas en las que están contenidos.

4. Sistema de carpetas

En el punto anterior se ha descrito la estructura de carpetas que debe tener la memoria USB para la correcta carga de parámetros en la estación. **Si no se respeta esta estructura, la carga de parámetros no se efectuará.**

A continuación se detalla el cometido de cada carpeta. Puede que no se quiera hacer uso de alguna carpeta concreta. Si por ejemplo no se desea modificar el firmware de la estación, es posible no incluir la carpeta *firmware* en la memoria USB. Esto es válido para el resto de carpetas.

4.1. Bootloader

Dentro de esta carpeta debe colocarse el firmware del bootloader si es necesario actualizarlo. El nombre de archivo del bootloader tiene la extensión *.bin*.

4.2. Config

En esta carpeta se alojan los archivos necesarios para la configuración de la estación de recarga. Para configurar la estación se deberán modificar los archivos *date.ini* (para ajustar la fecha y la hora) y *user.ini* (configuración de distintos parámetros).

Los documentos *howto_date.ini* y *howto_user.ini* contienen información sobre la configuración.

date.ini

Para modificar la fecha y hora de la estación de recarga es necesario modificar el archivo *date.ini*, escribiendo una única línea que incluya la fecha y hora actuales usando el siguiente formato:

mmm dd yyyy hh:mm:ss

mmm: tres primeras letras del nombre del mes, en inglés (jan, feb, mar, apr, may, jun, jul, aug, sep, oct, nov, dec).

dd: día. Siempre se usarán dos cifras (01, 03, 12, 20, etc.).

yyyy: año (2013, 2014, etc.).

hh: hora. Siempre se usarán dos cifras (01, 07, 15, 21, etc.).

mm: minuto. Siempre se usarán dos cifras (03, 09, 17, 36, etc.).

ss: segundo. Siempre se usarán dos cifras (04, 08, 12, 25, etc.).

Tras modificar este parámetro con la fecha y hora deseadas se deberá conectar la memoria USB en la estación a dicha hora exacta para que la actualización sea correcta.

Una vez se ha actualizado la fecha y hora en la estación ésta borrará el fichero *date.ini* de la memoria USB para evitar actualizaciones erróneas.

user.ini

El archivo *user.ini* contiene las variables que son configurables por el usuario. No todos los parámetros son configurables para todos los modelos, pero se incluyen por razones de compatibilidad.

Si al conectar un USB a la estación existe un fichero *user.ini* dentro de la carpeta */ingeteam/config/*, se cargará la nueva configuración.

Los parámetros configurables son:

language

Define el idioma de la interfaz de usuario para equipos con pantalla.

Ejemplo:

```
language = "es";
```

country

Define el país, reservada para desarrollos futuros.

Ejemplo:

```
country = "es";
```

nominal_current

Consigna de corriente enviada al vehículo cuando operamos el dispositivo en modo de *carga nominal*.

Por defecto es la corriente nominal que figura en la placa de características de la estación de recarga. Su valor debe ser entero y positivo.

Su límite inferior es por normativa 6 Amperios y su límite superior igual a la corriente de la placa de características.

Si se trata de un equipo ZE Ready el límite inferior será 7 Amperios para versiones monofásicas y 13 Amperios para versiones trifásicas.

Si incumple estos rangos la variable conservará su valor previo.

Ejemplo:

`nominal_current = 15;`

limited_current

Consigna de corriente enviada al vehículo cuando operamos el dispositivo en modo de *carga limitada*.

Por defecto es el 62,5% de la corriente de la placa de características de la estación de recarga, 10 Amperios para unidades de 16 Amperios, 20 Amperios para unidades de 32 Amperios.

Su valor debe ser entero y positivo. Su límite inferior es por normativa 6 Amperios y su límite superior igual a *nominal_current*.

Si se trata de un equipo ZE Ready el límite inferior será 7 Amperios para versiones monofásicas y 13 Amperios para versiones trifásicas.

Si incumple estos rangos la variable conservará su valor previo.

Ejemplo:

`limited_current = 12;`

deferred_current

Las estaciones de carga INGEREV GARAGE Basic pueden disponer de carga diferida gracias a la configuración mediante USB.

En esta línea se configurará la consigna de corriente enviada al vehículo cuando operamos el dispositivo en modo de carga diferida. Por defecto es igual a la nominal.

Su valor debe ser entero y positivo. Su límite inferior es por normativa 6 Amperios y su límite superior igual a la corriente de la placa de características.

Si se trata de un equipo ZE Ready el límite inferior será 7 Amperios para versiones monofásicas y 13 Amperios para versiones trifásicas.

Si incumple estos rangos la variable conservará su valor previo.

Ejemplo:

`deferred_current = 16;`

Tabla de referencia de potencias según fases, tensión e intensidad		
Monofásico	230V 6 A	1,38 kW
	230V 8 A	1,84 kW
	230V 10 A	2,30 kW
	230V 12 A	2,76 kW
	230V 14 A	3,22 kW
	230V 16 A	3,68 kW
	230V 20 A	1,38 kW
	230V 24 A	1,84 kW
	230V 28 A	2,30 kW
	230V 32 A	2,76 kW

Tabla de referencia de potencias según fases, tensión e intensidad		
Trifásico	400V 6 A	4,15 kW
	400V 8 A	5,54 kW
	400V 10 A	6,92 kW
	400V 12 A	8,30 kW
	400V 16 A	11,07 kW
	400V 20 A	13,84 kW
	400V 24 A	16,61 kW
	400V 28 A	19,38 kW
	400V 32 A	22,14 kW

start_deferred_charge

Permite programar el comienzo de la carga diferida. Por defecto esta variable viene deshabilitada.

Para habilitar el inicio de carga diferida se deberá cargar un fichero *user.ini* donde la variable tenga una hora válida programada.

El formato de la variable es de 24 horas y en la forma *hh:mm:ss*.

Ejemplo:

```
start_deferred_charge = "23:05:00";
```

Para deshabilitar el inicio de carga diferida se deberá cargar un fichero *user.ini* con la variable presente pero vacía.

Ejemplo:

```
start_deferred_charge = "";
```

finish_deferred_charge

Permite programar el final de la carga diferida. Por defecto esta variable viene deshabilitada.

Para habilitar el fin de carga diferida se deberá cargar un fichero *user.ini* donde la variable tenga una hora válida programada.

El formato de la variable es de 24 horas y en la forma *hh:mm:ss*.

Ejemplo:

```
finish_deferred_charge = "09:55:00";
```

Para deshabilitar el fin de carga diferida se deberá cargar un fichero *user.ini* con la variable presente pero vacía.

Ejemplo:

```
finish_deferred_charge = "";
```

4.3. Firmware

En esta carpeta se deberá colocar el firmware del dispositivo si es necesario actualizarlo.

El nombre de archivo del firmware tiene la extensión *.bin*.

4.4. Sessions

Dentro de esta carpeta se almacena el fichero que contiene toda la información relativa a las sesiones de carga del dispositivo y a los avisos, alarmas o eventos de importancia que hayan tenido lugar.

Si el equipo incorpora medidor de energía la información almacenada incluirá el consumo realizado en cada sesión. De lo contrario sólo se dispondrá de información de la duración de sus sesiones.

El formato del archivo es texto plano en formato *csv* para su fácil importación desde aplicaciones de hojas de cálculo u otros sistemas de tratamiento de datos.

Si el archivo no existe se genera uno nuevo.

Si el archivo ya existe se añade al mismo la nueva información sin borrar la existente.

Se debe tener en cuenta que en el momento en que la información es volcada en la unidad USB esa información se elimina del dispositivo para mantener el máximo de memoria disponible.

Si no se vuelca la información de la estación periódicamente cuando la memoria se llene se procederá a sobrescribir información.

En condiciones normales la memoria permite almacenar al menos hasta 3 sesiones de carga diarias durante un año entero.

4.5. Support

Dentro de esta carpeta se vuelca una copia para el usuario de los archivos de configuración del estado actual de la estación. Los archivos volcados son:

user.ini

date.ini

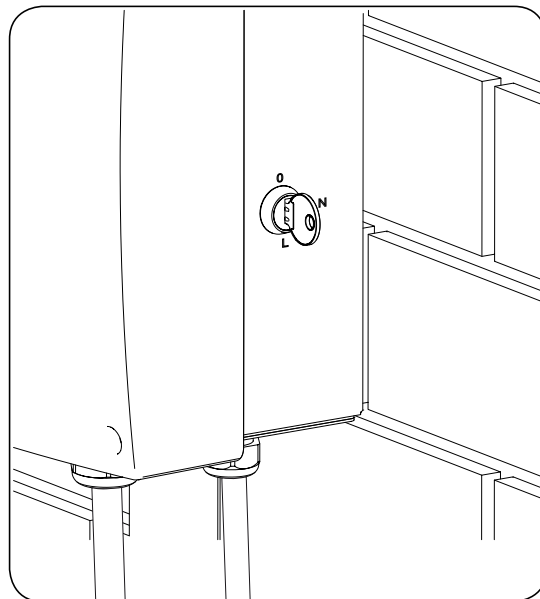
Esto permite comprobar la configuración, fecha y hora actuales del dispositivo, así como comprobar que los datos cargados desde los archivos de configuración presentes en */ingeteam/config/* han sido correctamente actualizados.

5. Carga diferida en INGEREV GARAGE Basic

Tal y como se ha comentado anteriormente es posible realizar cargas diferidas en las estaciones INGEREV GARAGE Basic siempre que se active y programe vía USB.

Para activarla se deberá configurar la línea de *start_deferred_charge* y/o la línea de *finish_deferred_charge*.

En las estaciones INGEREV GARAGE Basic existe la posibilidad de proceder a la recarga del vehículo eléctrico mediante *carga nominal* o limitada. Ambos modos de carga son seleccionables mediante la llave dispuesta en el lateral de la estación, siendo la posición *N* para *carga nominal* y la *L* para limitada.



Sin embargo, si se activa la carga diferida mediante USB, ésta pasa a ser operativa. En este caso la *carga limitada* se desactivará, siendo sustituida por la carga diferida. Por este motivo, para seleccionar la carga diferida en la estación, se deberá seleccionar la posición *L* mediante la llave. La posición *N* seguirá siendo seleccionable para la *carga nominal*.

El modo carga diferida es una denominación genérica, ya que en función de las distintas posibilidades de configuración se disponen de hasta 3 modos distintos de carga diferida. Son los siguientes:

- Carga de inicio programado.
- Carga de intervalo programado.
- Carga de fin programado.

Existen los siguientes casos de uso:

- 1° - *start_deferred_charge*, deshabilitada (por defecto)
finish_deferred_charge, deshabilitada (por defecto)
 o llave en posición *N*, modo *carga nominal*.
 La consigna de corriente es *nominal_current*.
 La carga comenzará cuando el vehículo envíe la señal de inicio de carga, ya sea de forma inmediata o diferida.
- o llave en posición *L*, modo *carga limitada*.
 La consigna de corriente es *limited_current*.
 La carga comenzará cuando el vehículo envíe la señal de inicio de carga, ya sea de forma inmediata o diferida.
- 2° - *start_deferred_charge*, habilitada
finish_deferred_charge, deshabilitada
 o llave en posición *N*, modo *carga nominal*.
 La consigna de corriente es *nominal_current*.
 La carga comenzará cuando el vehículo envíe la señal de inicio de carga, ya sea de forma inmediata o diferida.
- o llave en posición *L*, modo *carga de inicio programado*.
 La consigna de corriente es *deferred_current*.
 La estación permite la carga cuando llega la hora de inicio y la sesión continúa indefinidamente mientras no se finalice.
 Si la hora programada son las 23:00:00 y el usuario conecta el vehículo a las 23:00:01, el vehículo no comenzará la carga hasta el día siguiente a las 23:00:00.
- 3° - *start_deferred_charge*, habilitada
finish_deferred_charge, habilitada
 o llave en posición *N*, modo *carga nominal*.
 La consigna de corriente es *nominal_current*.
 La carga comenzará cuando el vehículo envíe la señal de inicio de carga, ya sea de forma inmediata o diferida.
- o llave en posición *L*, modo *carga de intervalo programado*.
 La consigna de corriente es *deferred_current*.
 La estación permite la carga cuando llega la hora de inicio y la finaliza a la hora de fin programada. Si el inicio de carga está programado a las 23:00:00 y el fin de carga a las 09:00:00, si el usuario llega a cargar a las 23:05:00, al estar dentro del intervalo de carga, la carga también comenzará, y terminará a la hora de fin programada.
- 4° - *start_deferred_charge*, deshabilitada
finish_deferred_charge, habilitada
 o llave en posición *N*, modo *carga nominal*.
 La consigna de corriente es *nominal_current*.
 La carga comenzará cuando el vehículo envíe la señal de inicio de carga, ya sea de forma inmediata o diferida.
- o llave en posición *L*, modo *carga de fin programado*.
 La consigna de corriente es *deferred_current*.

La carga comenzará cuando el vehículo envíe la señal de inicio de carga, ya sea de forma inmediata o diferida, y finalizará a la hora de fin programada. La carga no volverá a comenzar hasta que no se cierre sesión y se vuelva a abrir.

En cualquier momento es posible pasar del estado de *carga nominal* a *carga limitada* o viceversa, sin necesidad de interrumpir la carga.

Igualmente en cualquier momento es posible pasar del estado de *carga nominal* a carga diferida o viceversa.

Cuando el punto se encuentra en modo de carga diferida en el estado de espera a la hora de inicio programado la señalización luminosa parpadeará en color azul.



La mayoría de vehículos eléctricos modernos cuentan con la posibilidad de programar o diferir la carga desde el vehículo.

Ingeteam recomienda hacer uso de dicha característica siempre que disponga de esa posibilidad.

No obstante, en atención a aquellos vehículos que no disponen de carga programada o diferida, Ingeteam habilita la posibilidad de configurar dicha carga diferida en este punto de recarga con el mayor nivel posible de versatilidad y flexibilidad.

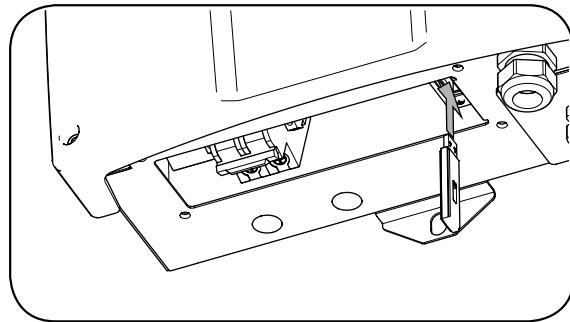
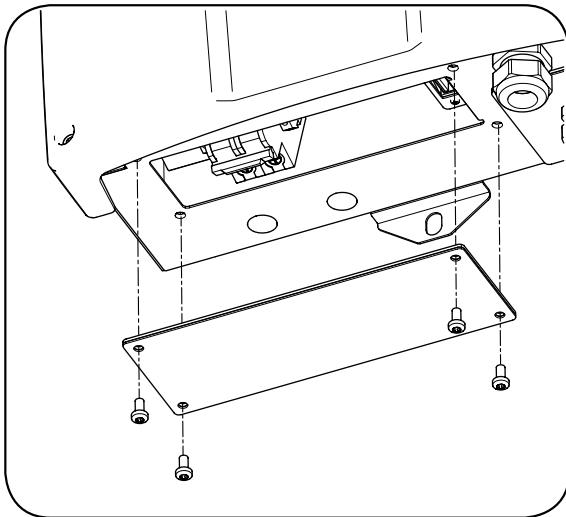
Sin embargo Ingeteam no se hace responsable de que la carga programada o diferida funcione con todos los vehículos ya que algunos modelos entran en estado de reposo al cabo de un tiempo de inactividad y en ocasiones pueden no reaccionar aunque se les habilite la posibilidad de cargar desde el punto de recarga.

En tal caso deberá informarse con su fabricante de cual es el límite de tiempo que puede mantenerse su vehículo en reposo antes de activar la carga diferida o averiguarlo mediante prueba y error.

6. Acceso y carga de datos

A continuación se detalla la forma de proceder para acceder al conector USB disponible en las estaciones INGEREV GARAGE Basic.

Abrir la tapa inferior desinstalando los cuatro tornillos mostrados en la siguiente figura e insertar la memoria USB en su conector.



Para efectuar la carga de datos la estación debe estar energizada.

Si la carga de parámetros ha sido realizada satisfactoriamente, la estación parpadeará durante unos segundos en color blanco.

Tras efectuar la carga de datos, extraer la memoria USB y volver a instalar la tapa inferior.

Table des matières

1. Information concernant ce manuel.....	22
2. Paramètres configurables.....	22
3. Téléchargement et enregistrement de fichiers.....	22
4. Système de dossiers.....	23
4.1. Bootloader.....	23
4.2. Config.....	23
4.3. Firmware.....	25
4.4. Sessions.....	25
4.5. Support.....	26
5. Charge différée avec INGEREV GARAGE Basic.....	26
6. Accès et chargement des données.....	28

EN

ES

FR

IT

1. Information concernant ce manuel

L'objectif de ce guide est de décrire la configuration en option des bornes de recharge INGEREV GARAGE Basic.

En option, des configurations de différents paramètres peuvent être chargées. Le chargement a lieu par la connexion USB dont l'équipement dispose.

2. Paramètres configurables

Les paramètres configurables de la borne sont les suivants :

- Date et heure
- Langue
- Pays
- Consigne de courant pour *charge nominale*, *limitée* et *différée*.
- Programmation de la charge différée.
- Mise à jour du firmware.

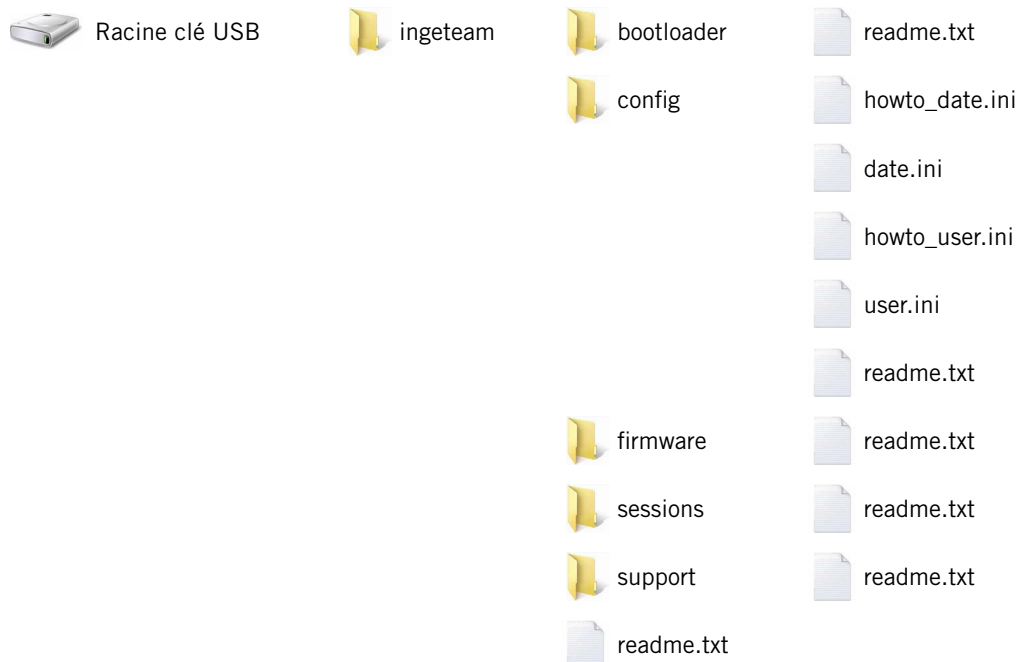
Les bornes de recharge INGEREV GARAGE Basic peuvent disposer de la fonction de charge différée grâce à la configuration par USB.

De plus, les données relatives au fonctionnement de la borne de recharge telles que des événements enregistrés ou des informations sur les sessions de recharge pourront être exportées.

3. Téléchargement et enregistrement de fichiers

Pour le téléchargement des fichiers nécessaires, adressez-vous au service clientèle d'Ingeteam, ou accédez à l'espace de téléchargement des bornes de recharge pour véhicules électriques sur le site internet d'Ingeteam (www.ingeteam.com).

Télécharger un fichier appelé *[nom du modèle de borne de recharge]_user.zip*. Ce fichier contient le dossier *ingeteam*. Décompresser le fichier à la racine de la clé USB formatée en FAT32 pour que le dossier *ingeteam* soit enregistré à la racine de la clé.



Les documents *readme.txt* contiennent des informations relatives à chaque dossier dans lesquels ils sont contenus.

4. Système de dossiers

Au point précédent, la structure des dossiers que doit présenter la clé USB pour que le chargement des paramètres de la borne de recharge soit correct a été décrite. **Si cette structure n'est pas respectée, le chargement des paramètres ne sera pas effectué.**

La fonction de chaque dossier est détaillée ci-dessous. Il est possible qu'un des dossier ne soit pas utilisé ; par exemple, si l'on ne souhaite pas modifier le firmware de la borne de recharge, il est possible de ne pas inclure le dossier *firmware* sur la clé USB. Cela est aussi valable pour les dossiers restants.

4.1. Bootloader

Mettre dans ce dossier le firmware du bootloader s'il doit être mis à jour. Le nom du document du bootloader porte l'extension *.bin*.

4.2. Config

Les documents nécessaires pour la configuration de la borne de recharge se trouvent dans ce dossier. Pour configurer la borne de recharge, il est nécessaire de modifier les documents *date.ini* (pour le réglage de l'heure et la date) et *user.ini* (configuration des différents paramètres).

Les documents *howto_date.ini* et *howto_user.ini* contiennent des informations relatives à la configuration.

date.ini

Pour modifier la date et l'heure de la borne de recharge, il est nécessaire de modifier le document *date.ini* en écrivant une seule ligne contenant la date et l'heure actuelles au format suivant :

mmm dd yyy hh:mm:ss

mmm : trois premières lettres du nom du mois en anglais (jan, feb, mar, apr, may, jun, jul, aug, sep, oct, nov, dec).

dd : jour. Toujours utiliser deux chiffres (01, 03, 12, 20, etc.).

yyyy : année (2013, 2014, etc.).

hh : heure. Toujours utiliser deux chiffres (01, 07, 15, 21, etc.).

mm : minute. Toujours utiliser deux chiffres (03, 09, 17, 36, etc.).

ss : seconde. Toujours utiliser deux chiffres (04, 08, 12, 25, etc.).

Une fois ce paramètre modifié avec la date et l'heure, connecter la clé USB à la borne de recharge à l'heure exacte pour que la mise à jour soit correcte.

Une fois la date et l'heure mises à jour sur la borne de recharge, cette dernière effacera le document *date.ini* de la clé USB afin d'éviter des mises à jour incorrectes.

user.ini

Le document *user.ini* contient les variables configurables par l'utilisateur. Tous les paramètres ne sont pas configurables sur tous les modèles ; ils sont tout de même compris pour des raisons de compatibilité.

Si un document *user.ini* se trouve dans le dossier */ingeteam/config/* lorsque la clé USB est connectée à la borne de recharge, la nouvelle configuration sera chargée.

Voici les paramètres configurables :

language

Définit la langue de l'interface de l'utilisateur pour les équipements à écran.

Exemple :

```
language = « es » ;
```

country

Définit le pays, réservé pour les futurs développements.

Exemple :

```
country = « es » ;
```

nominal_current

Consigne de courant envoyée au véhicule lorsque le dispositif est utilisé en mode de *charge nominale*.

Par défaut, il s'agit du courant figurant sur la plaque signalétique de la borne de recharge. Sa valeur doit être entière et positive.

Conformément à la réglementation, la limite inférieure est de 6 ampères et la limite supérieure égale au courant indiqué sur la plaque signalétique.

S'il s'agit d'un équipement ZE Ready, la limite inférieure est de 7 ampères pour les versions monophasées, et de 13 ampères pour les versions triphasées.

Si elle ne respecte pas ces marges, la variable conservera sa valeur précédente.

Exemple :

nominal_current = 15 ;

limited_current

Consigne de courant envoyée au véhicule lorsque le dispositif est utilisé en mode de *charge limitée*.

Par défaut, elle est de 62,5 % du courant indiqué sur la plaque signalétique de la borne de recharge, 10 ampères pour les unités de 16 ampères, 20 ampères pour celles de 32 ampères.

Sa valeur doit être entière et positive. Conformément à la réglementation, la limite inférieure est de 6 ampères et la limite supérieure égale au *nominal_current*.

S'il s'agit d'un équipement ZE Ready, la limite inférieure est de 7 ampères pour les versions monophasées, et de 13 ampères pour les versions triphasées.

Si elle ne respecte pas ces marges, la variable conservera sa valeur précédente.

Exemple :

limited_current = 12 ;

deferred_current

Les bornes de recharge INGEREV GARAGE Basic peuvent disposer de la fonction de charge différée grâce à la configuration par USB.

Sur cette ligne se configure la consigne de courant envoyée au véhicule lorsque le dispositif est utilisé en mode de charge différée. Par défaut, elle est égale à la nominale.

Sa valeur doit être entière et positive. Conformément à la réglementation, la limite inférieure est de 6 ampères et la limite supérieure égale au courant indiqué sur la plaque signalétique.

S'il s'agit d'un équipement ZE Ready, la limite inférieure est de 7 ampères pour les versions monophasées, et de 13 ampères pour les versions triphasées.

Si elle ne respecte pas ces marges, la variable conservera sa valeur précédente.

Exemple :

deferred_current = 16 ;

Tableau de référence des puissances conformément aux phases, à la tension et au courant		
Monophasique	230V 6 A	1,38 kW
	230V 8 A	1,84 kW
	230V 10 A	2,30 kW
	230V 12 A	2,76 kW
	230V 14 A	3,22 kW
	230V 16 A	3,68 kW
	230V 20 A	1,38 kW
	230V 24 A	1,84 kW
	230V 28 A	2,30 kW
	230V 32 A	2,76 kW

Tableau de référence des puissances conformément aux phases, à la tension et au courant		
Triphasique	400V 6 A	4,15 kW
	400V 8 A	5,54 kW
	400V 10 A	6,92 kW
	400V 12 A	8,30 kW
	400V 16 A	11,07 kW
	400V 20 A	13,84 kW
	400V 24 A	16,61 kW
	400V 28 A	19,38 kW
	400V 32 A	22,14 kW

start_deferred_charge

Permet de programmer le début de la charge différée. Par défaut, cette variable est désactivée.

Pour activer le début de la charge différée, charger un document *user.ini* dont la variable a une heure valable programmée.

Le format de la variable est de 24 heures et celui de l'heure est *hh:mm:ss*.

Exemple :

```
start_deferred_charge = « 23:05:00 » ;
```

Pour désactiver la fin de la charge différée, charger un document *user.ini* dont la variable est présente mais vide.

Exemple :

```
start_deferred_charge = « » ;
```

finish_deferred_charge

Permet de programmer la fin de la charge différée. Par défaut, cette variable est désactivée.

Pour activer la fin de la charge différée, charger un document *user.ini* dont la variable a une heure valable programmée.

Le format de la variable est de 24 heures et celui de l'heure est *hh:mm:ss*.

Exemple :

```
finish_deferred_charge = « 09:55:00 » ;
```

Pour désactiver la fin de la charge différée, charger un document *user.ini* dont la variable est présente mais vide.

Exemple :

```
finish_deferred_charge = « » ;
```

4.3. Firmware

Mettre dans ce dossier le firmware du dispositif s'il doit être utilisé.

Le nom du document du firmware porte l'extension *.bin*.

4.4. Sessions

Dans ce dossier se trouve le document qui contient toute l'information relative aux sessions de recharge du dispositif et aux avertissements, alarmes et événements importants ayant eu lieu.

Si l'équipement est doté d'un compteur électrique, l'information stockée comprendra la consommation de chaque session. S'il ne l'est pas, elle ne comprendra que la durée des sessions.

Il s'agit d'un document de texte brut au format *csv* pour une importation simple depuis les applications de tableur ou autres systèmes de traitement de données.

Si le document n'existe pas, il est créé.

S'il existe déjà, la nouvelle information est ajoutée sans effacer l'ancienne.

Tenir compte que au moment de transférer l'information sur la clé USB, elle est effacée du dispositif afin de conserver le maximum de mémoire disponible.

Si l'information de la station n'est pas transférée périodiquement, lorsque la mémoire est pleine, l'information est remplacée.

Dans des conditions normales, la mémoire permet de stocker au moins 3 sessions de recharges par jour pendant un an.

4.5. Support

Une copie des documents de configuration de l'état actuel de la station de recharge est transférée dans ce dossier pour l'utilisateur. Les documents transférés sont les suivants :

user.ini

date.ini

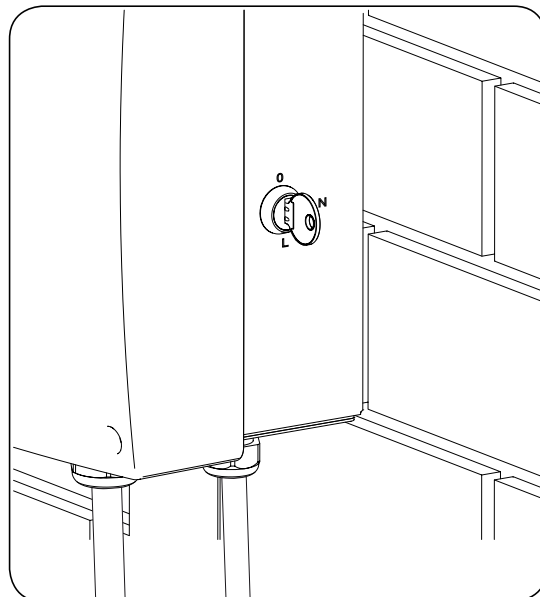
Cela permet de vérifier la configuration, date et heure actuelles du dispositif et de contrôler que les données chargées à partir des documents de configuration de */ingeteam/config/* ont correctement été mises à jour.

5. Charge différée avec INGEREV GARAGE Basic

Comme mentionné auparavant, il est possible d'effectuer des charges différées avec les bornes de recharge INGEREV GARAGE Basic à condition qu'elles soit activées et programmées par USB.

Pour les activer, configurer la ligne de *start_deferred_charge* et/ou la ligne de *finish_deferred_charge*.

Sur les bornes de recharge INGEREV GARAGE Basic, il est possible de procéder à la recharge de véhicules électriques par *charge nominale* ou limitée. Les deux modes de recharge peuvent être sélectionnés à l'aide de la clé située sur le côté de la borne de recharge. La position *N* correspond à la *charge nominale* et la *L* à la charge limitée.



Néanmoins, si la charge différée est activée par USB, elle devient opérationnelle. Dans ce cas, la *charge limitée* est désactivée et remplacée par la charge différée. Pour cette raison, pour sélectionner la charge différée sur la borne de recharge, sélectionner la position *L* à l'aide de la clé. La position *N* pourra toujours être sélectionnée pour la *charge nominale*.

Le mode de charge différée est une dénomination générique vu que, en fonction des différentes possibilités de configuration, 3 différents modes de charge différée sont disponibles. Les voici :

- Charge à début programmé.
- Charge à intervalle programmé.
- Charge à fin programmée.

Voici les différents cas d'utilisation :

- 1° - *start_deferred_charge*, désactivée (par défaut)
finish_deferred_charge, désactivée (par défaut)
 ou clé sur la position *N*, mode *charge nominale*.
 La consigne de courant est *nominal_current*.
 La charge commencera, de manière immédiate ou différée, lorsque le véhicule envoie le signal de début de charge.
- ou clé sur la position *L*, mode *charge limitée*.
 La consigne de courant est *limited_current*.
 La charge commencera, de manière immédiate ou différée, lorsque le véhicule envoie le signal de début de charge.
- 2° - *start_deferred_charge*, activée
finish_deferred_charge, désactivée
 ou clé sur la position *N*, mode *charge nominale*.
 La consigne de courant est *nominal_current*.
 La charge commencera, de manière immédiate ou différée, lorsque le véhicule envoie le signal de début de charge.
- ou clé sur la position *L*, mode *charge à début programmé*.
 La consigne de courant est *deferred_current*.
 La borne de recharge permet de charger à l'heure de début, et la session continue indéfiniment si elle n'est pas terminée.
 Si l'heure programmée est 23:00:00 et l'utilisateur branche le véhicule à 23:00:01, le véhicule ne commence la charge que le lendemain à 23:00:00.
- 3° - *start_deferred_charge*, activée
finish_deferred_charge, activée
 ou clé sur la position *N*, mode *charge nominale*.
 La consigne de courant est *nominal_current*.
 La charge commencera, de manière immédiate ou différée, lorsque le véhicule envoie le signal de début de charge.
- ou clé sur la position *L*, mode *charge à intervalle programmé*.
 La consigne de courant est *deferred_current*.
 La borne de recharge permet de charger à l'heure de début, et la session est terminée à l'heure de fin programmée. Si le début de la charge est programmé à 23:00:00 et la fin à 09:00:00, si l'utilisateur branche le véhicule à 23:05:00, étant donné que l'heure est comprise dans l'intervalle de charge, la charge commencera, et terminera à l'heure de fin programmée.
- 4° - *start_deferred_charge*, désactivée
finish_deferred_charge, activée
 ou clé sur la position *N*, mode *charge nominale*.
 La consigne de courant est *nominal_current*.
 La charge commencera, de manière immédiate ou différée, lorsque le véhicule envoie le signal de début de charge.
- ou clé sur la position *L*, mode *charge à fin programmé*.
 La consigne de courant est *deferred_current*.

La charge commencera, de manière immédiate ou différée, lorsque le véhicule envoie le signal de début de charge et terminera à l'heure programmée. La charge ne recommencera pas avant que la session ait été fermée et réouverte.

Il est possible de commuter du mode *charge nominale* à *charge limitée* ou vice versa à tout moment sans qu'il soit nécessaire d'interrompre le processus de charge.

Pareillement pour la commutation du mode *charge nominale* à charge différée, ou vice versa.

Lorsque la borne de recharge est en mode de charge différée en attente de l'heure de début programmée, le témoin lumineux clignotera en bleu.



La majorité de véhicules électriques modernes peut programmer ou différer la charge depuis le véhicule.

Ingeteam recommande l'utilisation de cette caractéristique, à condition qu'elle soit disponible.

Néanmoins, pour les véhicules ne disposant pas de charge programmée ou différée, Ingeteam offre la possibilité de configurer cette charge différée à cette borne de recharge avec une versatilité et flexibilité supérieures.

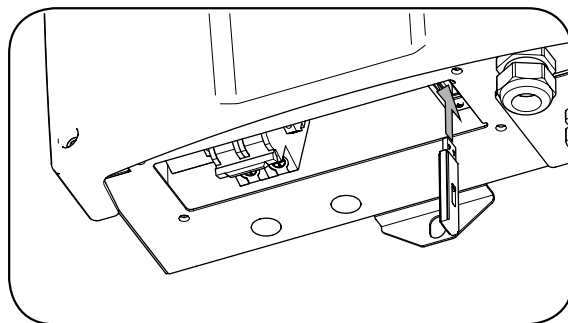
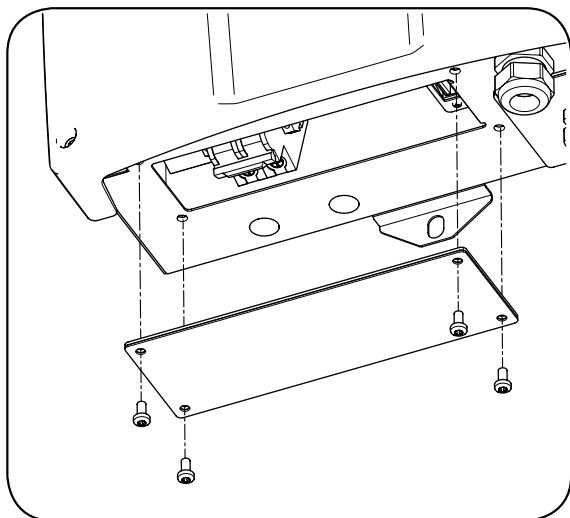
Néanmoins, Ingeteam ne peut être tenu pour responsable du fonctionnement de la charge programmée ou différée sur tous les véhicules. Certains modèles entrent en veille après un temps d'inactivité, et il est possible qu'ils ne réagissent pas, malgré que la possibilité de charge ait été activée depuis la borne de recharge.

Dans ce cas, informez-vous auprès du fabricant pour savoir quelle est la limite de temps pendant laquelle le véhicule peut rester en veille avant d'activer la charge différée, ou découvrez-le par la méthode d'essai-erreur.

6. Accès et chargement des données

La façon d'accéder au connecteur USB disponible sur les bornes INGEREV GARAGE Basic est expliquée ci-après.

Ouvrir le cache inférieur en retirant les quatre vis indiquées sur l'illustration suivante et introduire la clé USB dans son connecteur.



Pour effectuer le chargement des données, la borne doit être sous tension.

Si le chargement de paramètres a été satisfaisant, la borne de recharge clignotera pendant quelques secondes en blanc.

Suite au chargement des données, extraire la clé USB et reposer le cache inférieur.

Contenuti

1. Informazioni su questo manuale	30
2. Parametri configurabili	30
3. Download e salvataggio dei file	30
4. Sistema di cartelle	31
4.1. Bootloader	31
4.2. Config.....	31
4.3. Firmware.....	33
4.4. Sessions	33
4.5. Support	34
5. Carica differita su INGEREV GARAGE Basic	34
6. Accesso e caricamento dei dati	36

EN

ES

FR

IT

1. Informazioni su questo manuale

Lo scopo del presente manuale è quello di descrivere la configurazione opzionale per le stazioni di ricarica INGEREV GARAGE Basic.

È possibile caricare configurazioni di diversi parametri come opzione. La carica avviene mediante collegamento USB disponibile nel dispositivo.

2. Parametri configurabili

Tra i parametri configurabili nella stazione figurano:

- Data e ora .
- Lingua.
- Paese.
- Set point di corrente per *carica nominale, limitata e differita*.
- Programmazione della carica differita.
- Aggiornamento del firmware.

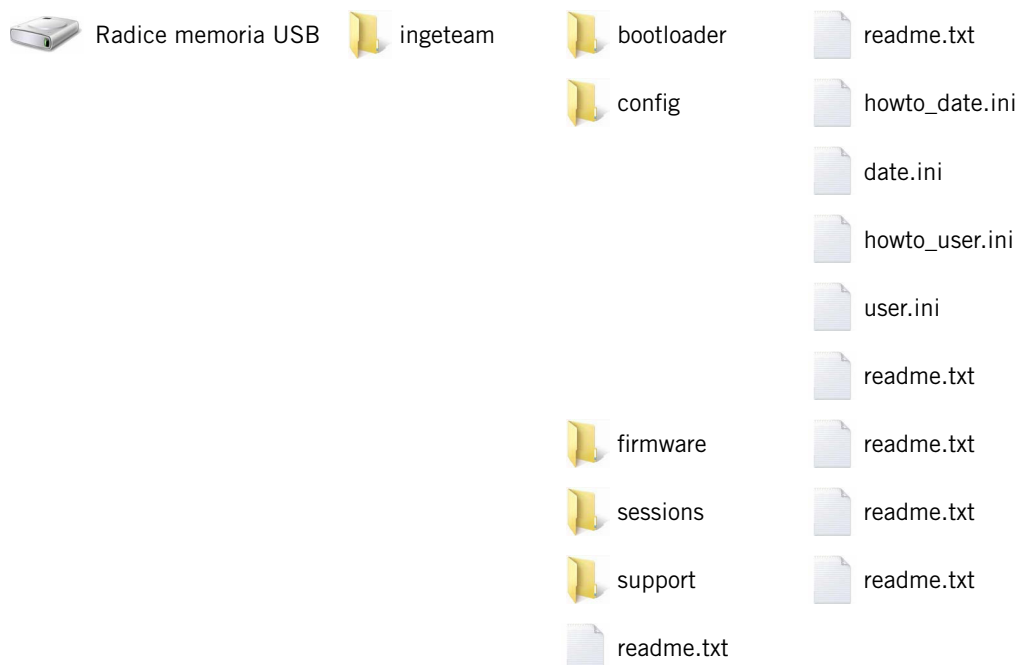
Le stazioni di carica INGEREV GARAGE Basic possono disporre di una carica differita grazie alla configurazione via USB.

Sarà quindi possibile estrarre i dati sul funzionamento della stazione quali eventi registrati o informazioni relative alle sessioni di carica.

3. Download e salvataggio dei file

Per scaricare i file necessari contattare il SAT di Ingeteam o accedere all'area download delle stazioni di ricarica del veicolo elettrico alla pagina web di Ingeteam (www.ingeteam.com).

Scaricare un file chiamato *[nome del modello della stazione di ricarica]_user.zip*. Tale file contiene la cartella *ingeteam*. Scompattare il file nella cartella radice di una memoria USB formattata in FAT32. In questo modo la cartella *ingeteam* viene salvata nella radice della memoria.



I documenti *readme.txt* contengono informazioni su ognuna delle cartelle in cui sono contenuti.

4. Sistema di cartelle

Al punto precedente è stata descritta la struttura delle cartelle che deve avere la memoria USB per il corretto caricamento dei parametri nella stazione. **Se non viene rispettata questa struttura, non sarà possibile caricare i parametri.**

Di seguito viene indicata la funzione di ciascuna cartella. Potrebbe essere che non si faccia uso di qualche cartella specifica. Se ad esempio non si desidera modificare il firmware della stazione, è possibile non includere la cartella *firmware* nella memoria USB. Ciò è valido per tutte le cartelle.

4.1. Bootloader

All'interno di questa cartella deve essere inserito il firmware del bootloader se è necessario aggiornarlo. Il nome del file del bootloader ha l'estensione *.bin*.

4.2. Config

In questa cartella si trovano i file necessari per la configurazione della stazione di ricarica. Per configurare la stazione si devono modificare i file *date.ini* (per impostare la data e l'ora) e *user.ini* (configurazione di diversi parametri).

I documenti *howto_date.ini* e *howto_user.ini* contengono informazioni sulla configurazione.

date.ini

Per modificare la data e l'ora della stazione di ricarica è necessario modificare il file *date.ini*, scrivendo una sola riga che includa la data e l'ora attuali usando il seguente formato:

mmm gg aaaa hh:mm:ss

mmm: le prime tre lettere del nome del mese in inglese (jan, feb, mar, apr, may, jun, jul, aug, sep, oct, nov, dec).

dd: giorno. Usare sempre due cifre (01, 03, 12, 20, ecc.).

yyyy: anno (2013, 2014, ecc.).

hh: ora. Usare sempre due cifre (01, 07, 15, 21, ecc.).

mm: minuti. Usare sempre due cifre (03, 09, 17, 36, ecc.).

ss: secondi. Usare sempre due cifre (04, 08, 12, 25, ecc.).

Dopo aver modificato questo parametro con la data e l'ora desiderate, collegare la memoria USB nella stazione a tale ora esatta affinché l'aggiornamento sia corretto.

Dopo aver aggiornato la data e l'ora nella stazione verrà cancellato il file *date.ini* dalla memoria USB per evitare aggiornamenti errati.

user.ini

Il file *user.ini* contiene le variabili configurabili dall'utente. Non tutti i parametri sono configurabili per tutti i modelli ma sono inclusi per ragioni di compatibilità.

Se quando si collega l'USB alla stazione all'interno della cartella */ingetteam/config/* è presente un file *user.ini* verrà caricata la nuova configurazione.

I parametri configurabili sono:

language

Definisce la lingua dell'interfaccia dell'utente per i dispositivi con monitor.

Esempio:

```
language = "it";
```

country

Definisce il paese, riservato per sviluppi futuri.

Esempio:

```
country = "it";
```

nominal_current

Setpoint di corrente inviata al veicolo quando si opera il dispositivo in modalità *carica nominale*.

Di default è la corrente nominale che figura nella targa dei dati caratteristici della stazione di ricarica. Il valore deve essere intero e positivo.

Il limite inferiore è per normativa 6 Ampere e il limite superiore uguale alla corrente della targa dei dati caratteristici.

Se si tratta di un dispositivo ZE Ready il limite inferiore è di 7 Ampere per le versioni monofase e di 13 Ampere per le versioni trifase.

Se non vengono soddisfatti tali parametri la variabile conserverà il valore precedente.

Esempio:

nominal_current = 15;

limited_current

Setpoint di corrente inviata al veicolo quando si opera il dispositivo in modalità *carica limitata*.

Di default è il 62,5% della corrente della targa dei dati caratteristici della stazione di ricarica, 10 Ampere per unità da 16 Ampere, 20 Ampere per unità da 32 Ampere.

Il valore deve essere intero e positivo. Il limite inferiore è per normativa 6 Ampere e il limite superiore uguale alla *nominal_current*.

Se si tratta di un dispositivo ZE Ready il limite inferiore è di 7 Ampere per le versioni monofase e di 13 Ampere per le versioni trifase.

Se non vengono soddisfatti tali parametri la variabile conserverà il valore precedente.

Esempio:

limited_current = 12;

deferred_current

Le stazioni di carica INGEREV GARAGE Basic possono disporre di una carica differita grazie alla configurazione via USB.

In questa linea viene configurato il setpoint di corrente inviata al veicolo quando si opera il dispositivo in modalità carica differita. Di default è uguale a quella nominale.

Il valore deve essere intero e positivo. Il limite inferiore è per normativa 6 Ampere e il limite superiore uguale alla corrente della targa dei dati caratteristici.

Se si tratta di un dispositivo ZE Ready il limite inferiore è di 7 Ampere per le versioni monofase e di 13 Ampere per le versioni trifase.

Se non vengono soddisfatti tali parametri la variabile conserverà il valore precedente.

Esempio:

deferred_current = 16;

Tabella di riferimento delle potenze secondo fasi, tensione e intensità		
Monofase	230V 6 A	1,38 kW
	230V 8 A	1,84 kW
	230V 10 A	2,30 kW
	230V 12 A	2,76 kW
	230V 14 A	3,22 kW
	230V 16 A	3,68 kW
	230V 20 A	1,38 kW
	230V 24 A	1,84 kW
	230V 28 A	2,30 kW
	230V 32 A	2,76 kW

Tabella di riferimento delle potenze secondo fasi, tensione e intensità		
Trifase	400V 6 A	4,15 kW
	400V 8 A	5,54 kW
	400V 10 A	6,92 kW
	400V 12 A	8,30 kW
	400V 16 A	11,07 kW
	400V 20 A	13,84 kW
	400V 24 A	16,61 kW
	400V 28 A	19,38 kW
	400V 32 A	22,14 kW

start_deferred_charge

Consente di programmare l'inizio della carica differita. Di default questa variabile è disabilitata.

Per abilitare l'inizio della carica differita, caricare un file *user.ini* in cui la variabile abbia un'ora valida programmata.

Il formato della variabile è di 24 ore nel formato *hh:mm:ss*.

Esempio:

```
start_deferred_charge = "23:05:00";
```

Per disabilitare l'inizio della carica differita, caricare un file *user.ini* con la variabile presente ma vuota.

Esempio:

```
start_deferred_charge = "";
```

finish_deferred_charge

Consente di programmare la fine della carica differita. Di default questa variabile è disabilitata.

Per abilitare la fine della carica differita, caricare un file *user.ini* in cui la variabile abbia un'ora valida programmata.

Il formato della variabile è di 24 ore nel formato *hh:mm:ss*.

Esempio:

```
finish_deferred_charge = "09:55:00";
```

Per disabilitare la fine della carica differita, caricare un file *user.ini* con la variabile presente ma vuota.

Esempio:

```
finish_deferred_charge = "";
```

4.3. Firmware

In questa cartella va collocato il firmware del dispositivo se è necessario aggiornarlo.

Il nome del file del firmware ha l'estensione *.bin*.

4.4. Sessions

Dentro questa cartella viene salvato il file che contiene tutte le informazioni relative alle sessioni di carica del dispositivo e agli avvisi, allarmi o eventi importanti che abbiano avuto luogo.

Se il dispositivo presenta un misuratore di energia, l'informazione salvata comprenderà il consumo di ogni sessione. In caso contrario si disporrà solo dell'informazione sulla durata delle sessioni.

Il formato del file è testo semplice in formato *csv* per poter essere facilmente importato da applicazioni quali fogli di calcolo o altri sistemi di trattamento di dati.

Se il file non esiste se ne genererà uno nuovo.

Se il file esiste già aggiungere ad esso la nuova informazione senza cancellare quella esistente.

Si tenga presente che nel momento in cui l'informazione passa all'unità USB viene eliminata dal dispositivo per mantenere il massimo di memoria disponibile.

Se le informazioni non vengono periodicamente svuotate dalla stazione quando la memoria si riempie le informazioni verranno sovrascritte.

In condizioni normali la memoria consente di memorizzare almeno 3 sessioni di carica giornaliera per un anno intero.

4.5. Support

Dentro questa cartella viene riversata una copia per l'utente dei file di configurazione dello stato attuale della stazione. I file riversati sono:

user.ini

date.ini

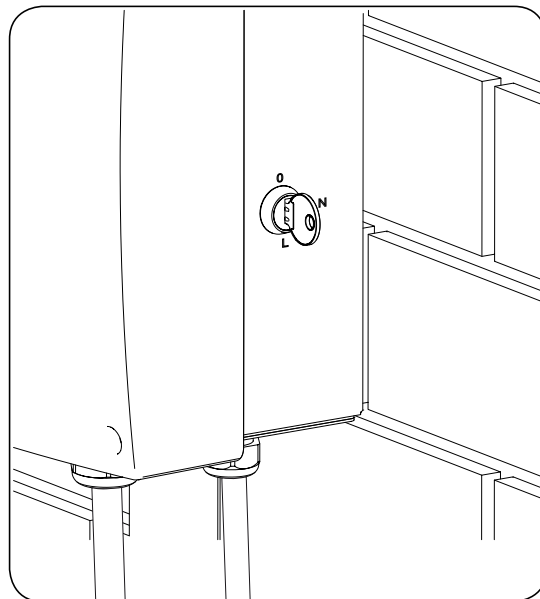
Questo consente di verificare la configurazione, data e ora correnti del dispositivo e anche di verificare che i dati caricati dai file di configurazione presenti su */ingetteam/config/* siano stati aggiornati correttamente.

5. Carica differita su INGEREV GARAGE Basic

Come indicato precedentemente è possibile eseguire cariche differite nelle stazioni INGEREV GARAGE Basic se sono attivate e programmate via USB.

Per l'attivazione si deve configurare la linea di *start_deferred_charge* e/o la linea di *finish_deferred_charge*.

Le stazioni INGEREV GARAGE Basic prevedono la possibilità di procedere alla ricarica del veicolo elettrico mediante *carica nominale* o limitata. Entrambe le modalità di carica sono selezionabili tramite chiave posta sul lato della stazione, dove la posizione *N* è per la *carica nominale* e la *L* per quella limitata.



Tuttavia, se si attiva la carica differita via USB, questa passa ad essere operativa. In questo caso la *carica limitata* si disattiverà venendo sostituita dalla carica differita. Per questo motivo, per selezionare la carica differita nella stazione, si dovrà selezionare la posizione *L* mediante la chiave. La posizione *N* continuerà ad essere selezionabile per la *carica nominale*.

La modalità carica differita è una denominazione generica, dato che in funzione delle diverse possibilità di configurazione sono disponibili fino a 3 modalità distinte di carica differita. Sono le seguenti:

- Carica di inizio programmato.
- Carica di intervallo programmato.
- Carica di fine programmata.

Sono possibili i seguenti casi:

- 1° - *start_deferred_charge*, disabilitata (di default)
finish_deferred_charge, disabilitata (di default)
 o chiave in posizione *N*, modalità *carica nominale*.
 Il setpoint della corrente è *nominal_current*.
 La carica comincia quando l'automobile invia il segnale di inizio corrispondente, sia in caso di carica immediata che differita.
- o chiave in posizione *L*, modalità *carica limitata*.
 Il setpoint della corrente è *limited_current*.
 La carica comincia quando l'automobile invia il segnale di inizio corrispondente, sia in caso di carica immediata che differita.
- 2° - *start_deferred_charge*, abilitata
finish_deferred_charge, disabilitata
 o chiave in posizione *N*, modalità *carica nominale*.
 Il setpoint della corrente è *nominal_current*.
 La carica comincia quando l'automobile invia il segnale di inizio corrispondente, sia in caso di carica immediata che differita.
- o chiave in posizione *L*, modalità *carica di inizio programmato*.
 Il setpoint della corrente è *deferred_current*.
 La stazione consente la carica quando arriva l'ora di inizio e la sessione continua per un tempo indefinito finché non viene finalizzata.
 Se l'ora programmata sono le 23:00:00 e l'utente collega il veicolo alle 23:00:01, il veicolo non comincerà la carica fino alle ore 23:00:00 del giorno seguente.
- 3° - *start_deferred_charge*, abilitata
finish_deferred_charge, abilitata
 o chiave in posizione *N*, modalità *carica nominale*.
 Il setpoint della corrente è *nominal_current*.
 La carica comincia quando l'automobile invia il segnale di inizio corrispondente, sia in caso di carica immediata che differita.
- o chiave in posizione *L*, modalità *carica di intervallo programmato*.
 Il setpoint della corrente è *deferred_current*.
 La stazione consente la carica quando arriva l'ora di inizio e la termina all'ora di fine programmata. Nel caso in cui l'inizio della carica è programmato per le ore 23:00:00 e la fine alle ore 09:00:00, se l'utente arriva a caricare alle 23:05:00, essendo dentro l'intervallo di carica, la carica comincerà ugualmente e terminerà all'ora di fine programmata.
- 4° - *start_deferred_charge*, disabilitata
finish_deferred_charge, abilitata
 o chiave in posizione *N*, modalità *carica nominale*.
 Il setpoint della corrente è *nominal_current*.
 La carica comincia quando l'automobile invia il segnale di inizio corrispondente, sia in caso di carica immediata che differita.
- o chiave in posizione *L*, modalità *carica di fine programmata*.
 Il setpoint della corrente è *deferred_current*.
 La carica comincia quando l'automobile invia il segnale corrispondente e termina all'ora di fine programmata. La carica non ricomincia fino a che non si chiude la sessione e si torna a riaprire.

In qualsiasi momento è possibile passare dallo stato di *carica nominale* a quello di *carica limitata* o viceversa, senza necessità di interrompere la carica.

Allo stesso modo, in qualsiasi momento è possibile passare dallo stato di *carica nominale* a quello di carica differita o viceversa.

Quando il punto si trova in modalità di carica differita nello stato di attesa dell'ora di inizio programmata, la segnalazione luminosa lampeggia di colore azzurro.



La maggioranza dei veicoli elettrici moderni ha la possibilità di programmare o differire la carica dal veicolo.

Ingeteam raccomanda di utilizzare questa funzione se disponibile.

Per i veicoli che non dispongono di carica programmata o differita, Ingeteam abilita la possibilità di configurare tale carica differita a questo punto di ricarica con il massimo livello di versatilità e flessibilità possibile.

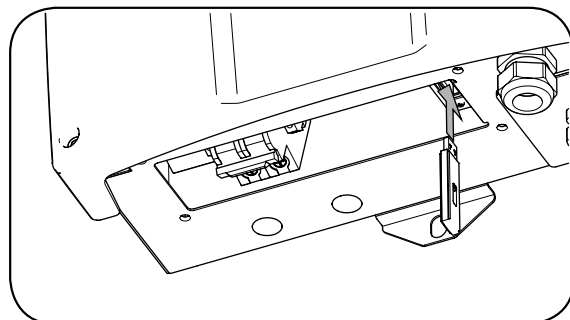
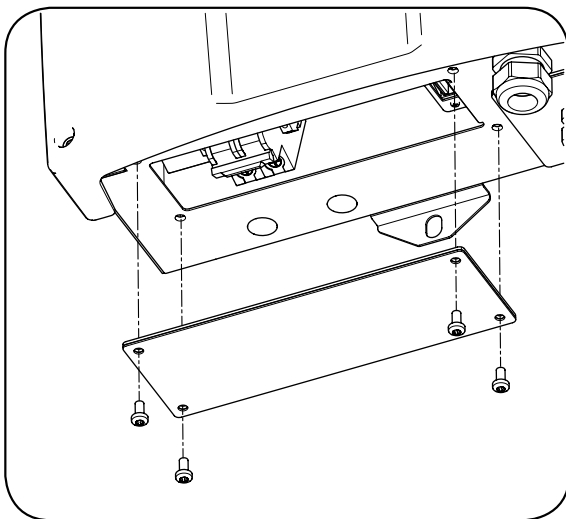
Tuttavia Ingeteam non si assume alcuna responsabilità che la carica programmata o differita funzioni in tutti i veicoli dato che alcuni modelli entrano nello stato di riposto dopo un certo tempo di inattività e in alcuni casi possono non reagire anche se si abilita la possibilità di caricare dal punto di ricarica.

In questo caso informarsi presso il fabbricante sul limite di tempo in cui il veicolo si può mantenere a riposo prima di attivare la carica differita o fare delle prove per determinarlo.

6. Accesso e caricamento dei dati

Di seguito viene descritta la procedura per accedere al connettore USB disponibile nelle stazioni INGEREV GARAGE Basic.

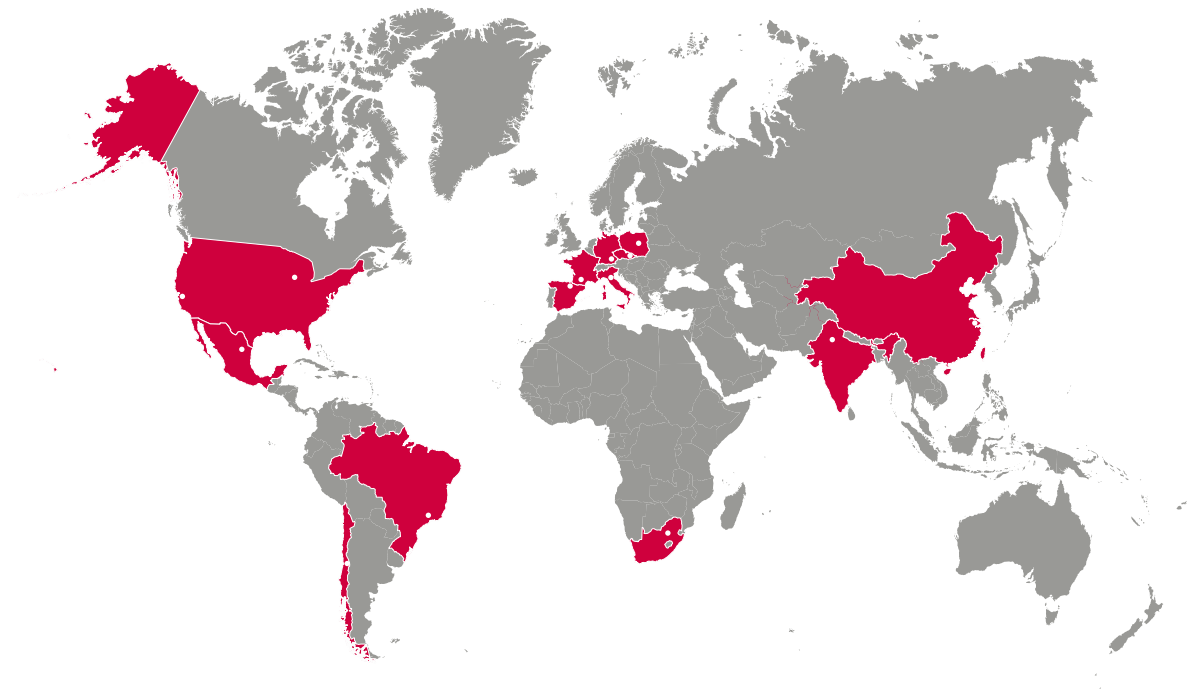
Aprire il coperchio inferiore svitando le quattro viti mostrate nella seguente figura ed inserire la memoria USB nel relativo connettore.



Per caricare i dati la stazione deve essere sotto tensione.

Se i parametri sono stati caricati con successo, la stazione lampeggerà per alcuni secondi di colore bianco.

Dopo aver caricato i dati, estrarre la memoria USB e reinstallare il coperchio inferiore.



Europe

Ingeteam Power Technology, S.A.

Energy

Avda. Ciudad de la Innovación, 13
31621 SARRIGUREN (Navarre) - Spain
Tel.: +34 948 28 80 00
Fax: +34 948 28 80 01
e-mail: solar.energy@ingeteam.com

Ingeteam GmbH

DE-153762639
Herzog-Heinrich-Str. 10
80336 MÜNCHEN - Germany
Tel.: +49 89 99 65 38 0
Fax: +49 89 99 65 38 99
e-mail: solar.de@ingeteam.com

Ingeteam SAS

Parc Innopole
BP 87635 - 140 Rue Carmin - Le Naurouze B5
F- 31676 Toulouse Labège cedex - France
Tel.: +33 (0)5 61 25 00 00
Fax: +33 (0)5 61 25 00 11
e-mail: solar.energie@ingeteam.com

Ingeteam S.r.l.

Via Emilia Ponente, 232
48014 CASTEL BOLOGNESE (RA) - Italy
Tel.: +39 0546 651 490
Fax: +39 054 665 5391
e-mail: italia.energy@ingeteam.com

Ingeteam, a.s.

Technologická 371/1
70800 OSTRAVA - PUSTKOVEC
Czech Republic
Tel.: +420 59 732 6800
Fax: +420 59 732 6899
e-mail: czech@ingeteam.com

Ingeteam Sp. z o.o.

Ul. Koszykowa 60/62 m 39
00-673 Warszawa - Poland
Tel.: +48 22 821 9930
Fax: +48 22 821 9931
e-mail: polska@ingeteam.com

America

Ingeteam INC.

5201 Great American Parkway, Suite 320
SANTA CLARA, CA 95054 - USA
Tel.: +1 (415) 450 1869
+1 (415) 450 1870
Fax: +1 (408) 824 1327
e-mail: solar.us@ingeteam.com

Ingeteam INC.

3550 W. Canal St.
Milwaukee, WI 53208 - USA
Tel.: +1 (414) 934 4100
Fax: +1 (414) 342 0736
e-mail: solar.us@ingeteam.com

Ingeteam, S.A. de C.V.

Ave. Revolución, nº 643, Local 9
Colonia Jardín Español - MONTERREY
64820 - NUEVO LEÓN - México
Tel.: +52 81 8311 4858
Fax: +52 81 8311 4859
e-mail: northamerica@ingeteam.com

Ingeteam Ltda.

Rua Luiz Carlos Brunello, 286
Chácara Sao Bento
13278-074 VALINHOS SP - Brazil
Tel.: +55 19 3037 3773
Fax: +55 19 3037 3774
e-mail: brazil@ingeteam.com

Ingeteam SpA

Bandera , 883 Piso 211
8340743 Santiago de Chile - Chile
Tel.: +56 2 738 01 44
e-mail: chile@ingeteam.com

Africa

Ingeteam Pty Ltd.

Unit2 Alphen Square South
16th Road, Randjiespark,
Midrand 1682 - South Africa
Tel.: +2711 314 3190
Fax: +2711 314 2420
e-mail: kobie.dupper@ingeteam.com

Asia

Ingeteam Shanghai, Co. Ltd.

Shanghai Trade Square, 1105
188 Si Ping Road
200086 SHANGHAI - P.R. China
Tel.: +86 21 65 07 76 36
Fax: +86 21 65 07 76 38
e-mail: shanghai@ingeteam.com

Ingeteam Pvt. Ltd.

Level 4 Augusta Point
Golf Course Road, Sector-53
122002 Gurgaon - India
Tel.: +91 124 435 4238
Fax: +91 124 435 4001
e-mail: india@ingeteam.com

ABA2011IQM05_
04/2014

Ingeteam